

PRODUCT DATA SHEET

Part number 633400

EAN 4015609024438

Manufacturer WALTHER-WERKE

WEEE-Reg.-Number: DE 22131895

Product description

Protective cap 32A 3P IP67 for plugs and appliance inlets, with fixing set



Similar image

Detailed product description

WALTHER Protective cap 32A 4P IP67
 made from PA6 material
 for plugs and appliance inlets
 with fixing set

Ordering Information

Order unit	Piece
Customs number	85366990
Net weight	0,059 kg
Packing quantity (VPE)	10
Length of the packaging	
Width of the packaging	
Depth of the packaging	
Gross weight(VPE)	0,59 kg

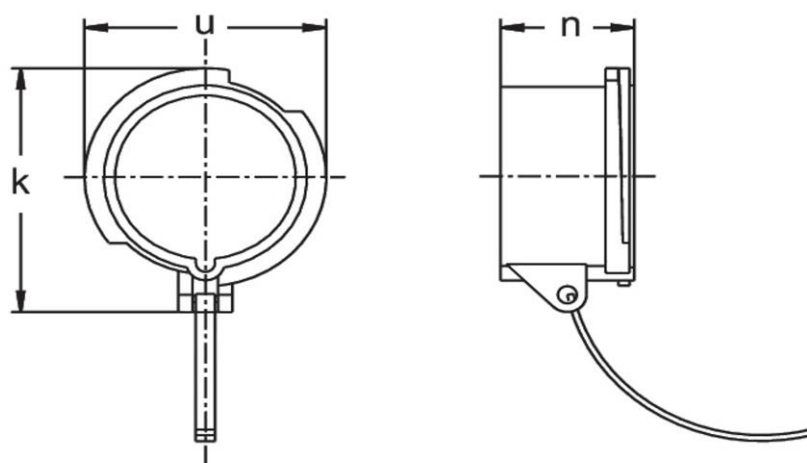
Classification system

Classification system	ETIM_6.0
ETIM Class	EC002313

Technical product data

Nominal current	32 A
Number of poles	3 - 4
Degree of protection (IP)	IP67

Dimension sheet



Amp.	32
Pole	4
a	90
b	50
u	82