

PRODUCT DATA SHEET

Part number	10150
EAN	4015609003938
Manufacturer	WALTHER-WERKE
WEEE-Reg.-Number:	DE 22131895

Product description

NORVO wall socket for external fixing 16A 3P 0h for low voltage with one top cable entry



Product Image

Detailed product description

WALTHER Wall socket 16A 3P 24V 0h IP44
 low-voltage connector from the NORVO series
 made from PA6 material
 in purple
 with one top cable entry
 for external fixing
 outer dimensions 81x70mm

Ordering Information

Order unit	Piece
Customs number	85366990
Net weight	0,181 kg
Packing quantity (VPE)	10
Length of the packaging	0,31 m
Width of the packaging	0,163 m
Depth of the packaging	0,113 m
Gross weight(VPE)	1,922 kg

Certificates

CQC certification

2004010203136990



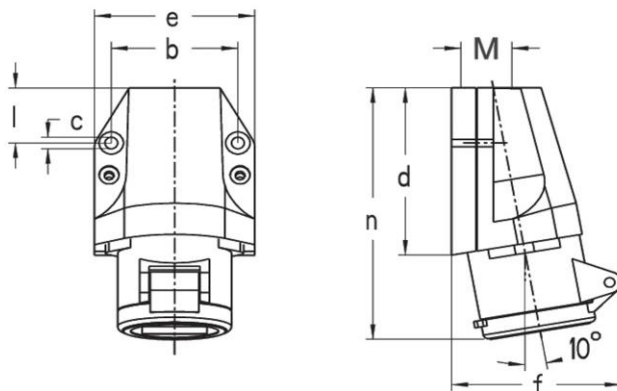
Classification system

Classification system	ETIM_6.0
ETIM Class	EC001321

Technical product data

Model	Surface mounted (plaster)
IEC-amperage	16 A
Amperage acc. UL/CSA (for UL-version)	20 A
Number of poles	3
Voltage acc. EN 60309-2	20-25 V (50+60 Hz) violet
Clock hour position	0 h
Identification colour	Violet (lilac)
Degree of protection (IP)	IP44
Connection system	Screwed terminal
Material	Plastic
Type of fastening	External mounting
Insulated mounting	True

Dimension sheet



Amp.	16		32	
Pole	2	3	2	3
b	54,5	54,5	54,5	54,5
c	5,2	5,2	5,2	5,2
d	81	81	81	81
e	70	70	70	70
f	72	72	72	72
l	28	28	28	28
n	119	119	119	119
M	25	25	25	25