

## PRODUCT DATA SHEET

---

Part number 110306AS

---

EAN 4015609513796

Manufacturer WALTHER-WERKE

WEEE-Reg.-Number: DE 22131895

### Product description

---

Wall socket for external fixing 16A 3P 6h with one top cable entry and eye for padlock



Similar image

### Detailed product description

---

WALTHER Wall socket 16A 3P 230V 6h IP44  
 made from PA6 material  
 with screw terminals  
 external fixing  
 and with one top cable entry  
 with eye for padlock for locking with plug 212306

### Ordering Information

---

Order unit	Piece
Customs number	85366990
Net weight	0,171 kg
Packing quantity (VPE)	1
Length of the packaging	
Width of the packaging	
Depth of the packaging	
Gross weight(VPE)	0,171 kg

### Classification system

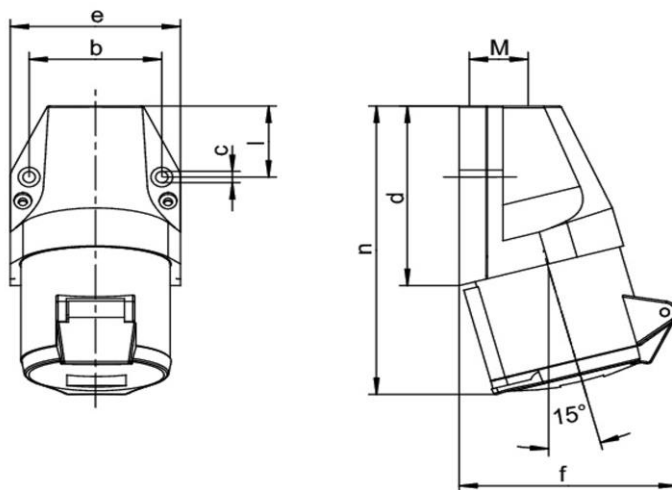
---

Classification system	ETIM_6.0
ETIM Class	EC001321

### Technical product data

Model	Surface mounted (plaster)
IEC-amperage	16 A
Amperage acc. UL/CSA (for UL-version)	20 A
Number of poles	3
Voltage acc. EN 60309-2	230 V (50+60 Hz) blue
Clock hour position	6 h
Identification colour	Blue
RAL-number	5002
Degree of protection (IP)	IP44
Connection system	Screwed terminal
Material	Plastic
Type of fastening	Inner lying mounting
Insulated mounting	True

### Dimension sheet



<b>Amp.</b>	<b>16</b>
<b>Pole</b>	<b>3</b>
b	45,5
c	5,3
d	74
e	60
f	75
l	28
n	120
M	20