

PRODUCT DATA SHEET

Part number 111402

EAN 4015609144389

Manufacturer WALTHER-WERKE

WEEE-Reg.-Number: DE 22131895

Product description

Wall socket for internal fixing 16A 4P 2h with two knock-out cable entries both on top and bottom and one knock-out floor entry



Similar image





Detailed product description

WALTHER Wall socket 16A 4P 50-500V 300-500Hz 2h IP44
 made from PA6 material
 with screw terminal
 for internal fixing
 with two knock-out cable entries both top and bottom
 and one knock-out floor entry

Ordering Information

| | |
|-------------------------|----------|
| Order unit | Piece |
| Customs number | 85366990 |
| Net weight | 0,389 kg |
| Packing quantity (VPE) | 5 |
| Length of the packaging | |
| Width of the packaging | |
| Depth of the packaging | |
| Gross weight(VPE) | 1,945 kg |

Certificates

| | | |
|-------------------|-----------------------|---|
| VDE certification | 123017 |  |
| UL certification | No. E83342 |  |
| UL certification | No. E188992 |  |
| EAC certification | BY112.02.01.020 06089 |  |

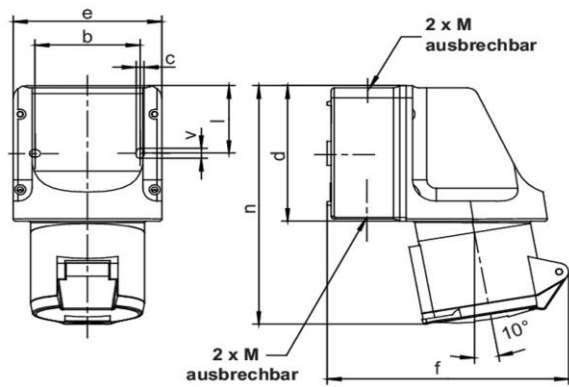
Classification system

| | |
|-----------------------|----------|
| Classification system | ETIM_6.0 |
| ETIM Class | EC001321 |

Technical product data

| | |
|---------------------------------------|------------------------------|
| Model | Surface mounted (plaster) |
| IEC-amperage | 16 A |
| Amperage acc. UL/CSA (for UL-version) | 20 A |
| Number of poles | 4 |
| Voltage acc. EN 60309-2 | 50-500 V (>300-500 Hz) green |
| Clock hour position | 2 h |
| Identification colour | Green |
| RAL-number | 6025 |
| Degree of protection (IP) | IP44 |
| Connection system | Screwed terminal |
| Material | Plastic |
| Type of fastening | Inner lying mounting |
| Insulated mounting | True |

Dimension sheet



| Amp. | 16 | | | 32 | | |
|------|-------|-------|-------|-------|-------|-------|
| | 3 | 4 | 5 | 3 | 4 | 5 |
| b | 66,5 | 66,5 | 66,5 | 66,5 | 66,5 | 66,5 |
| c | 5 | 5 | 5 | 5 | 5 | 5 |
| d | 96 | 96 | 96 | 96 | 96 | 96 |
| e | 95 | 95 | 95 | 95 | 95 | 95 |
| f | 140 | 143 | 146 | 154 | 154 | 157 |
| l | 47,5 | 47,5 | 47,5 | 47,5 | 47,5 | 47,5 |
| n | 160 | 164 | 164 | 173 | 173 | 173 |
| v | 7 | 7 | 7 | 7 | 7 | 7 |
| M | 20/25 | 20/25 | 20/25 | 20/25 | 20/25 | 20/25 |