

## PRODUCT DATA SHEET

---

Part number 11320

---

EAN 4015609006656

Manufacturer WALTHER-WERKE

WEEE-Reg.-Number: DE 22131895

### Product description

---

NORVO coupler 32A 2P 0h for low voltage with cable gland, PG 21



Product image

### Detailed product description

---

WALTHER Coupler 32A 2P 24V 0h IP44  
 low-voltage connector from the NORVO series  
 made from PA6 material  
 in purple  
 with large cable gland PG 21

### Ordering Information

---

Order unit	Piece
Customs number	85366990
Net weight	0,1548 kg
Packing quantity (VPE)	10
Length of the packaging	0,31 m
Width of the packaging	0,195 m
Depth of the packaging	0,14 m
Gross weight(VPE)	1,696 kg

### Classification system

---

Classification system ETIM\_6.0

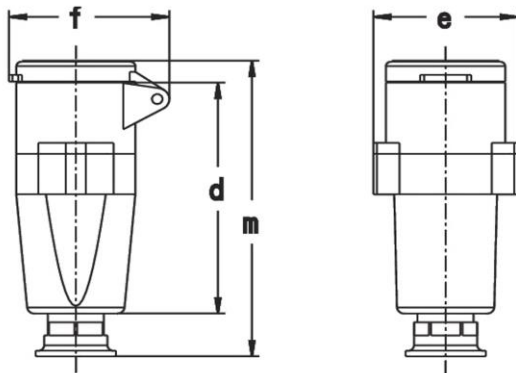
ETIM Class

EC001320

### Technical product data

IEC-amperage	32 A
Amperage acc. UL/CSA (for UL-version)	30 A
Number of poles	2
Voltage acc. EN 60309-2	20-25 V (50+60 Hz) violet
Clock hour position	0 h
Identification colour	Violet (lilac)
Degree of protection (IP)	IP44
Connection system	Screwed terminal
Angle of plug	Straight
Cable entry	Swivel
Material	Plastic

### Dimension sheet



Amp.	16		32	
Pole	2	3	2	3
d	143	143	143	143
e	59	59	59	59
f	67	67	67	67
m	104	104	104	104
Øp	10-19,5	10-19,5	10-19,5	10-19,5