

PRODUCT DATA SHEET

Part number 11321

EAN	4015609006663
Manufacturer	WALTHER-WERKE
WEEE-Reg.-Number:	DE 22131895

Product description

NORVO coupler 32A 2P 12h for low voltage with cable gland, PG 21



Similar image

Detailed product description

WALTHER Coupler 32A 2P 42V 12h IP44
 low-voltage connector from the NORVO series
 made from PA6 material
 in purple
 with large cable gland PG 21

Ordering Information

Order unit	Piece
Customs number	85366990
Net weight	0,153 kg
Packing quantity (VPE)	10
Length of the packaging	0,31 m
Width of the packaging	0,195 m
Depth of the packaging	0,14 m
Gross weight(VPE)	1,678 kg

Classification system

Classification system ETIM_6.0

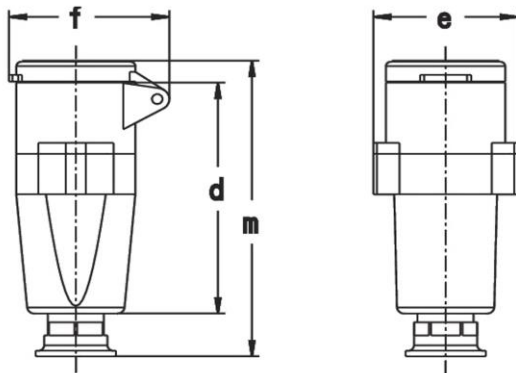
ETIM Class

EC001320

Technical product data

IEC-amperage	32 A
Amperage acc. UL/CSA (for UL-version)	30 A
Number of poles	2
Voltage acc. EN 60309-2	40-50 V (50+60 Hz) white
Clock hour position	12 h
Identification colour	White
Degree of protection (IP)	IP44
Connection system	Screwed terminal
Angle of plug	Straight
Cable entry	Swivel
Material	Plastic

Dimension sheet



Amp.	16		32	
Pole	2	3	2	3
d	143	143	143	143
e	59	59	59	59
f	67	67	67	67
m	104	104	104	104
Øp	10-19,5	10-19,5	10-19,5	10-19,5