

PRODUCT DATA SHEET

Part number 114

EAN 4015609000043

Manufacturer WALTHER-WERKE

WEEE-Reg.-Number: DE 22131895

Product description

MiniKombi wall socket 16A 5P 6h with Schuko socket, two cable entries both top and bottom and one knock-out floor entry



Similar image

Detailed product description

WALTHER Mini-combination 16A 5P 400V 6h IP44 wall socket
 made from PA6 material
 with Schuko socket 16A 230V 3P IP44
 with screw terminal
 two cable entries both top and bottom
 and one knock-out floor entry

Ordering Information

Order unit	Piece
Customs number	85366990
Net weight	0,529 kg
Packing quantity (VPE)	5
Length of the packaging	0,31 m
Width of the packaging	0,255 m
Depth of the packaging	0,15 m
Gross weight(VPE)	2,841 kg

Certificates

VDE certification

40011821



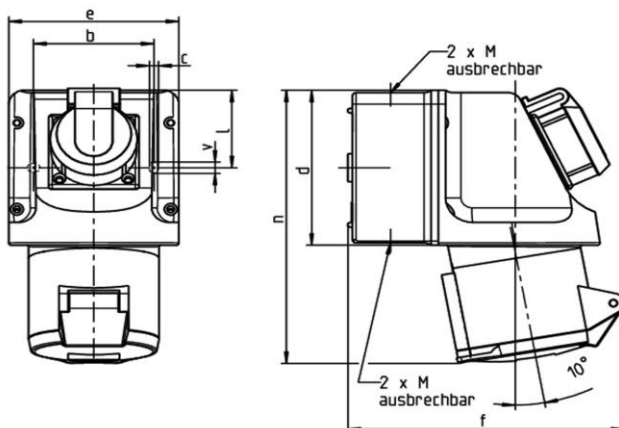
Classification system

Classification system	ETIM_6.0
ETIM Class	EC001321

Technical product data

Model	Surface mounted (plaster)
IEC-amperage	16 A
Amperage acc. UL/CSA (for UL-version)	20 A
Number of poles	5
Voltage acc. EN 60309-2	400 V (50+60 Hz) red
Clock hour position	6 h
Identification colour	Red
RAL-number	3000
Degree of protection (IP)	IP44
Connection system	Screwed terminal
Material	Plastic
Type of fastening	Inner lying mounting
Insulated mounting	True

Dimension sheet



Amp.	16		32	
	3	5	3	5
b	66,5	66,5	66,5	66,5
c	5	5	5	5
d	96	96	96	96
e	95	95	95	95
f	140	146	154	157
l	47,5	47,5	47,5	47,5
n	160	164	173	173
v	7	7	7	7
M	20/25	20/25	20/25	20/25