

PRODUCT DATA SHEET

Part number 11540

EAN 4015609007189

Manufacturer WALTHER-WERKE

WEEE-Reg.-Number: DE 22131895

Product description

NORVO panel socket angled 32A 3P 0h for low voltage with flange 68x62mm



Similar image

Detailed product description

WALTHER Panel socket 32A 3P 24V 0h IP44
 low-voltage connector from the NORVO series
 angled
 made from PA6 material
 in purple
 flange 68x62mm
 fixing center 53x47mm

Ordering Information

Order unit	Piece
Customs number	85366990
Net weight	0,12 kg
Packing quantity (VPE)	10
Length of the packaging	0,31 m
Width of the packaging	0,195 m
Depth of the packaging	0,14 m
Gross weight(VPE)	1,348 kg

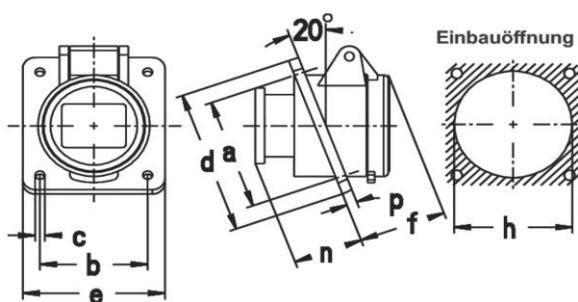
Classification system

Classification system	ETIM_6.0
ETIM Class	EC001317

Technical product data

IEC-amperage	32 A
Amperage acc. UL/CSA (for UL-version)	30 A
Number of poles	3
Voltage acc. EN 60309-2	20-25 V (50+60 Hz) violet
Clock hour position	0 h
Identification colour	Violet (lilac)
Degree of protection (IP)	IP44
Connection system	Screwed terminal
Angle of plug	Angled
Material	Plastic
Military model	False
Flange size vertical	68 mm
Drill hole distance vertical	53 mm
Flange size horizontal	62 mm
Drill hole distance horizontal	47 mm

Dimension sheet



Amp.	16		32	
Pole	2	3	2	3
a	53	53	53	53
b	47	47	47	47
c	4,5	4,5	4,5	4,5
d	68	68	68	68
e	62	62	62	62
f	38	38	38	38
h	55	55	55	55
n	30	30	30	30
p	4,5	4,5	4,5	4,5

Befestigungsmaß = a + b, Flanschmaß = d + e