

## PRODUCT DATA SHEET

---

Part number 117306

---

EAN 4015609010073

Manufacturer WALTHER-WERKE

WEEE-Reg.-Number: DE 22131895

### Product description

---

MONDO wall socket surface-mounted 16A 3P 6h  
 small version in light grey



Product Image

### Detailed product description

---

WALTHER Wall socket 16A 3P 230V 6h IP44

from the MONDO series  
 made from PA6 material  
 small version  
 surface-mounted  
 in light grey (RAL 7035)  
 flange 98x70  
 fixing center 58x50



The flat cover allows a low housing height  
 and is therefore suitable for prestigious areas.

### Ordering Information

---

Order unit	Piece
Customs number	85366990
Net weight	0,187 kg
Packing quantity (VPE)	10
Length of the packaging	0,31 m
Width of the packaging	0,195 m
Depth of the packaging	0,14 m
Gross weight(VPE)	2,018 kg

## Certificates

VDE certification	123017	
EAC certification	BY112.02.01.020 06089	

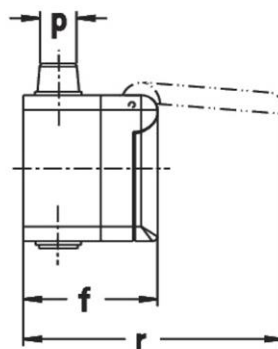
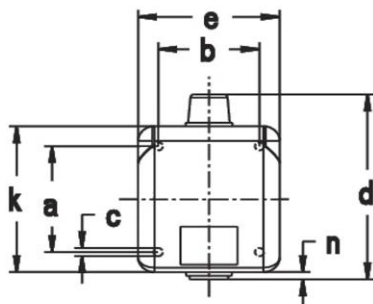
## Classification system

Classification system	ETIM_6.0
ETIM Class	EC001318

## Technical product data

Current supply	CEE 16 A
Number of poles	3
Voltage acc. EN 60309-2	230 V (50+60 Hz) blue
Clock hour position	6 h
Identification colour	Blue
Construction type	Wall mounted socket
Configuration	Closed cover
Colour	Grey
RAL-number	7035

## Dimension sheet



Amp.	16
Pole	3
a	58
b	50
c	4,5
d	98
e	70
f	68
k	80
n	5
p	7/17,5
r	130