

PRODUCT DATA SHEET

Part number **117309**

EAN **4015609010080**

Manufacturer **WALTER-WERKE**

WEEE-Reg.-Number: **DE 22131895**

Product description

MONDO wall socket surface-mounted 16A 3P 9h
 small version in light grey



Similar image

Detailed product description

WALTER Wall socket 16A 3P 400V 9h IP44



from the MONDO series
 made from PA6 material
 small version
 surface-mounted
 in light grey (RAL 7035)
 flange 98x70
 fixing center 58x50

The flat cover allows a low housing height
 and is therefore suitable for prestigious areas.

Ordering Information

Order unit	Piece
Customs number	85366990
Net weight	0,187 kg
Packing quantity (VPE)	10
Length of the packaging	0,31 m
Width of the packaging	0,195 m
Depth of the packaging	0,14 m
Gross weight(VPE)	2,018 kg

Certificates

VDE certification	123017	
EAC certification	BY112.02.01.020 06089	

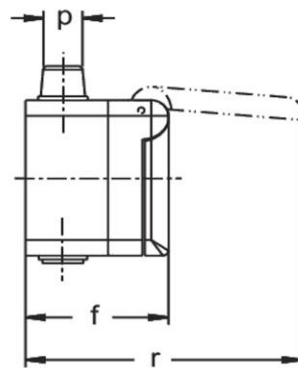
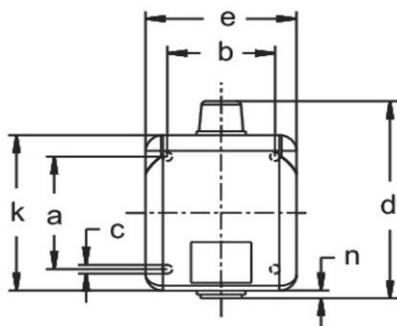
Classification system

Classification system	ETIM_6.0
ETIM Class	EC001318

Technical product data

Current supply	CEE 16 A
Number of poles	3
Voltage acc. EN 60309-2	400 V (50+60 Hz) red
Clock hour position	9 h
Identification colour	Red
Construction type	Wall mounted socket
Configuration	Closed cover
Colour	Grey
RAL-number	7035

Dimension sheet



Amp.	16
Pole	3
a	58
b	50
c	4,5
d	98
e	70
f	68
k	80
n	5
p	7/17,5
r	130