

PRODUCT DATA SHEET

Part number	11911
EAN	4015609007547
Manufacturer	WALTER-WERKE
WEEE-Reg.-Number:	DE 22131895

Product description

MONDO wall socket 32A 2P 12h for low voltage with flush-mounted socket and plaster-compensating flange



Similar image

Detailed product description

WALTER Wall socket 32A 2P 42V 12h IP44
 low-voltage connector from the MONDO series
 made from PA6 material
 with flush-mounted socket
 and plaster-compensating flange
 outer dimensions 80x70mm

Ordering Information

Order unit	Piece
Customs number	85366990
Net weight	0,169 kg
Packing quantity (VPE)	10
Length of the packaging	0,31 m
Width of the packaging	0,255 m
Depth of the packaging	0,15 m
Gross weight(VPE)	1,886 kg

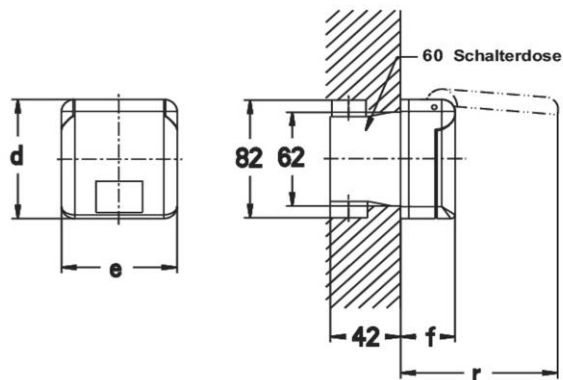
Classification system

Classification system	ETIM_6.0
ETIM Class	EC001318

Technical product data

Current supply	CEE 32 A
Number of poles	2
Voltage acc. EN 60309-2	40-50 V (50+60 Hz) white
Clock hour position	12 h
Identification colour	White
Construction type	Flush mounted socket with UP box
Configuration	Closed cover
Colour	Grey
RAL-number	7035

Dimension sheet



Amp.	16		32	
Pole	2	3	2	3
d	80	80	80	80
e	70	70	70	70
f	33	33	33	33
r	96	96	96	96