

## PRODUCT DATA SHEET

---

Part number 119309

---

EAN 4015609010172

Manufacturer WALTHER-WERKE

WEEE-Reg.-Number: DE 22131895

### Product description

---

Waterproof wall socket for internal fixing 16A 3P 9h with two knock-out cable entries both on top and bottom and knock-out floor entry



Product Image

### Detailed product description

---

WALTHER Wall socket 16A 3P 400V 9h IP67  
 made from PA6 material  
 with screw terminal  
 for internal fixing  
 with two knock-out cable entries both top and bottom  
 and one knock-out floor entry

### Ordering Information

---

Order unit	Piece
Customs number	85366990
Net weight	0,409 kg
Packing quantity (VPE)	5
Length of the packaging	
Width of the packaging	
Depth of the packaging	
Gross weight(VPE)	2,045 kg

### Certificates

---

VDE certification

123017



EAC certification

BY112.02.01.020 06089



## Classification system

Classification system

ETIM\_6.0

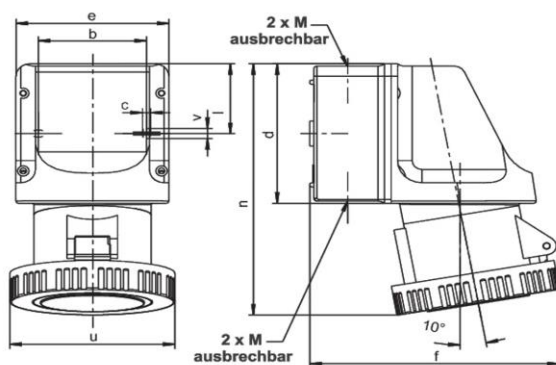
ETIM Class

EC001321

## Technical product data

Model	Surface mounted (plaster)
IEC-amperage	16 A
Amperage acc. UL/CSA (for UL-version)	20 A
Number of poles	3
Voltage acc. EN 60309-2	400 V (50+60 Hz) red
Clock hour position	9 h
Identification colour	Red
RAL-number	3000
Degree of protection (IP)	IP67
Connection system	Screwed terminal
Material	Plastic
Type of fastening	Inner lying mounting
Insulated mounting	True

## Dimension sheet



Amp.	16			32		
	3	4	5	3	4	5
b	66,5	66,5	66,5	66,5	66,5	66,5
c	5	5	5	5	5	5
d	96	96	96	96	96	96
e	95	95	95	95	95	95
f	140	144	147	156	156	156
l	47,5	47,5	47,5	47,5	47,5	47,5
n	164	164	164	176	176	176
u	72	81	88	96	96	103
v	7	7	7	7	7	7
M	20/25	20/25	20/25	20/25	20/25	20/25