

## PRODUCT DATA SHEET

---

Part number 119504

---

EAN 4015609010288

Manufacturer WALTHER-WERKE

WEEE-Reg.-Number: DE 22131895

### Product description

---

Waterproof wall socket for internal fixing 16A 5P 4h with two knock-out cable entries both on top and bottom and knock-out floor entry



Similar image

### Detailed product description

---

WALTHER Wall socket 16A 5P 110V 4h IP67  
 made from PA6 material  
 with screw terminal  
 for internal fixing  
 with two knock-out cable entries both top and bottom  
 and one knock-out floor entry

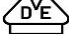

### Ordering Information

---

|                         |          |
|-------------------------|----------|
| Order unit              | Piece    |
| Customs number          | 85366990 |
| Net weight              | 0,47 kg  |
| Packing quantity (VPE)  | 5        |
| Length of the packaging |          |
| Width of the packaging  |          |
| Depth of the packaging  |          |
| Gross weight(VPE)       | 2,35 kg  |

### Certificates

---

|                   |                       |   |
|-------------------|-----------------------|---|
| VDE certification | 123017                |  |
| EAC certification | BY112.02.01.020 06089 |  |

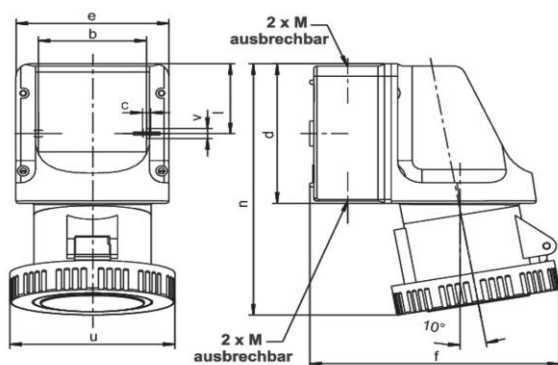
## Classification system

|                       |          |
|-----------------------|----------|
| Classification system | ETIM_6.0 |
| ETIM Class            | EC001321 |

## Technical product data

|                                       |                           |
|---------------------------------------|---------------------------|
| Model                                 | Surface mounted (plaster) |
| IEC-amperage                          | 16 A                      |
| Amperage acc. UL/CSA (for UL-version) | 20 A                      |
| Number of poles                       | 5                         |
| Voltage acc. EN 60309-2               | 110 V (50+60 Hz) yellow   |
| Clock hour position                   | 4 h                       |
| Identification colour                 | Yellow                    |
| RAL-number                            | 1018                      |
| Degree of protection (IP)             | IP67                      |
| Connection system                     | Screwed terminal          |
| Material                              | Plastic                   |
| Type of fastening                     | Inner lying mounting      |
| Insulated mounting                    | True                      |

## Dimension sheet



| Amp. | 16    |       |       | 32    |       |       |
|------|-------|-------|-------|-------|-------|-------|
|      | 3     | 4     | 5     | 3     | 4     | 5     |
| b    | 66,5  | 66,5  | 66,5  | 66,5  | 66,5  | 66,5  |
| c    | 5     | 5     | 5     | 5     | 5     | 5     |
| d    | 96    | 96    | 96    | 96    | 96    | 96    |
| e    | 95    | 95    | 95    | 95    | 95    | 95    |
| f    | 140   | 144   | 147   | 156   | 156   | 156   |
| l    | 47,5  | 47,5  | 47,5  | 47,5  | 47,5  | 47,5  |
| n    | 164   | 164   | 164   | 176   | 176   | 176   |
| u    | 72    | 81    | 88    | 96    | 96    | 103   |
| v    | 7     | 7     | 7     | 7     | 7     | 7     |
| M    | 20/25 | 20/25 | 20/25 | 20/25 | 20/25 | 20/25 |