

## PRODUCT DATA SHEET

---

Part number 11950

---

EAN 4015609007561

Manufacturer WALTHER-WERKE

WEEE-Reg.-Number: DE 22131895

### Product description

---

MONDO wall socket 32A 3P 0h for low voltage with flush-mounted socket and plaster-compensating flange



Similar image

### Detailed product description

---

WALTHER Wall socket 32A 3P 24V 0h IP44  
 low-voltage connector from the MONDO series  
 made from PA6 material  
 with flush-mounted socket  
 and plaster-compensating flange  
 outer dimensions 80x70mm

### Ordering Information

---

Order unit	Piece
Customs number	85366990
Net weight	0,184 kg
Packing quantity (VPE)	10
Length of the packaging	0,31 m
Width of the packaging	0,255 m
Depth of the packaging	0,15 m
Gross weight(VPE)	2,036 kg

### Classification system

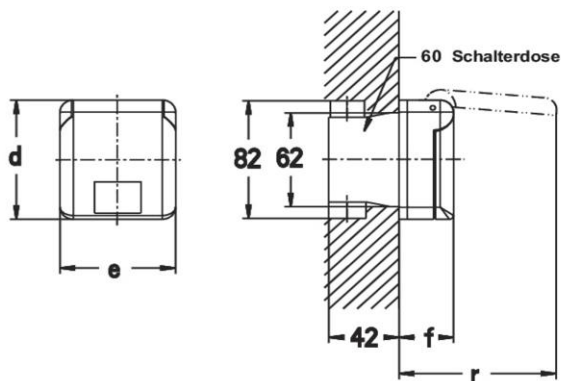
---

Classification system	ETIM_6.0
ETIM Class	EC001318

### Technical product data

Current supply	CEE 32 A
Number of poles	3
Voltage acc. EN 60309-2	20-25 V (50+60 Hz) violet
Identification colour	Violet
Construction type	Flush mounted socket with UP box
Configuration	Closed cover
Colour	Grey
RAL-number	7035

### Dimension sheet



Amp.	16		32	
Pole	2	3	2	3
d	80	80	80	80
e	70	70	70	70
f	33	33	33	33
r	96	96	96	96