

PRODUCT DATA SHEET

Part number 119

EAN 4015609000074

Manufacturer WALTHER-WERKE

WEEE-Reg.-Number: DE 22131895

Product description

Waterproof wall socket for internal fixing 16A 5P 6h with two knock-out cable cable entries both top and bottom and knock-out floor entry on top



Similar image




Detailed product description

WALTHER Wall socket 16A 5P 400V 6h IP67
 made from PA6 material
 with screw terminal
 with two cable entries both top and bottom
 and one knock-out floor entry
 for internal fixing

Ordering Information

Order unit	Piece
Customs number	85366990
Net weight	0,467 kg
Packing quantity (VPE)	5
Length of the packaging	0,385 m
Width of the packaging	0,19 m
Depth of the packaging	0,18 m
Gross weight(VPE)	2,537 kg

Certificates

VDE certification	123017	
CQC certification	2004010203136920	
EAC certification	BY112.02.01.020 06089	

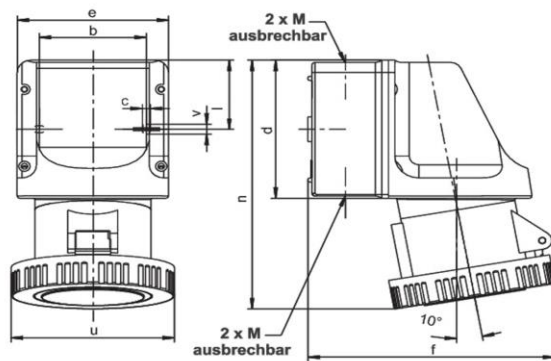
Classification system

Classification system	ETIM_6.0
ETIM Class	EC001321

Technical product data

Model	Surface mounted (plaster)
IEC-amperage	16 A
Amperage acc. UL/CSA (for UL-version)	20 A
Number of poles	5
Voltage acc. EN 60309-2	400 V (50+60 Hz) red
Clock hour position	6 h
Identification colour	Red
RAL-number	3000
Degree of protection (IP)	IP67
Connection system	Screwed terminal
Material	Plastic
Type of fastening	Inner lying mounting
Insulated mounting	True

Dimension sheet



Amp.	16			32		
Pole	3	4	5	3	4	5
b	66,5	66,5	66,5	66,5	66,5	66,5
c	5	5	5	5	5	5
d	96	96	96	96	96	96
e	95	95	95	95	95	95
f	140	144	147	156	156	156
l	47,5	47,5	47,5	47,5	47,5	47,5
n	164	164	164	176	176	176
u	72	81	88	96	96	103
v	7	7	7	7	7	7
M	20/25	20/25	20/25	20/25	20/25	20/25