

PRODUCT DATA SHEET

Part number 130304

EAN 4015609010349

Manufacturer WALTHER-WERKE

WEEE-Reg.-Number: DE 22131895

Product description

Wall socket for external fixing 32A 3P 4h with screw terminal and one top cable entry



Product Image

Detailed product description

WALTHER Wall socket 32A 3P 110V 4h IP44
 made from PA6 material
 with screw terminal
 for external fixing
 and with one top cable entry

Ordering Information

Order unit	Piece
Customs number	85366990
Net weight	0,291 kg
Packing quantity (VPE)	10
Length of the packaging	
Width of the packaging	
Depth of the packaging	
Gross weight(VPE)	2,91 kg

Certificates

VDE certification 123021



CQC certification

2004010203136950



EAC certification

BY112.02.01.020 06089



Classification system

Classification system

ETIM_6.0

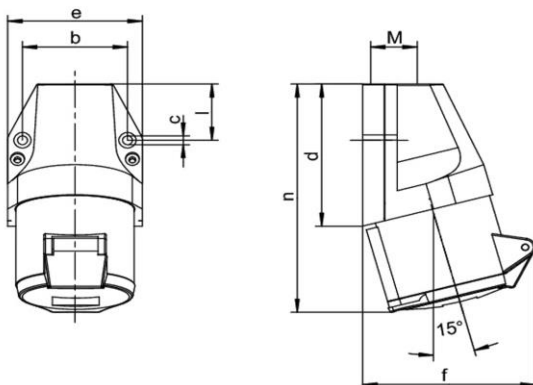
ETIM Class

EC001321

Technical product data

Model	Surface mounted (plaster)
IEC-amperage	32 A
Amperage acc. UL/CSA (for UL-version)	30 A
Number of poles	3
Voltage acc. EN 60309-2	110 V (50+60 Hz) yellow
Clock hour position	4 h
Identification colour	Yellow
RAL-number	1018
Degree of protection (IP)	IP44
Connection system	Screwed terminal
Material	Plastic
Type of fastening	External mounting
Insulated mounting	True

Dimension sheet



Amp.	16			32		
Pole	3	4	5	3	4	5
b	45,5	60	60	60	60	60
c	5,3	5,3	5,3	5,3	5,3	5,3
d	74	80	80	97	97	97
e	60	74	74	82	82	82
f	75	86	90	103	103	105
l	28	31	31	45	45	45
n	120	128	129	154	154	155
M	20	20	20	25	25	25