

PRODUCT DATA SHEET

Part number 130707

EAN 4015609010684

Manufacturer WALThER-WERKE

WEEE-Reg.-Number: DE 22131895

Product description

Wall socket for external fixing 32A 7P 7h with screw terminal and one top cable entry



Product image

Detailed product description

WALThER Wall socket 32A 7P 500V 7h IP44
 made from PA6 material
 with screw terminal
 for external fixing
 and with one top cable entry

Ordering Information

Order unit	Piece
Customs number	85366990
Net weight	0,349 kg
Packing quantity (VPE)	10
Length of the packaging	
Width of the packaging	
Depth of the packaging	
Gross weight(VPE)	3,49 kg

Classification system

Classification system ETIM_6.0

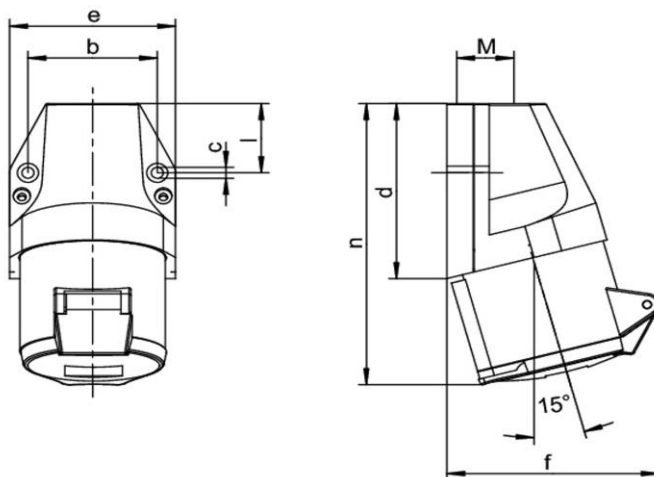
ETIM Class

EC001321

Technical product data

Model	Surface mounted (plaster)
IEC-amperage	32 A
Amperage acc. UL/CSA (for UL-version)	30 A
Number of poles	7
Voltage acc. EN 60309-2	500 V (50+60 Hz) black
Clock hour position	7 h
Identification colour	Black
RAL-number	9005
Degree of protection (IP)	IP44
Connection system	Screwed terminal
Material	Plastic
Type of fastening	External mounting
Insulated mounting	True

Dimension sheet



Amp.	16	32
Pole	7	7
b	60	60
c	5,3	5,3
d	80	97
e	74	82
f	90	105
l	31	45
n	129	155
M	20	25