

PRODUCT DATA SHEET

Part number 135

EAN 4015609000128

Manufacturer WALTHER-WERKE

WEEE-Reg.-Number: DE 22131895

Product description

MiniKombi wall socket 32A 5P 6h with fused Schuko socket, two cable entries both top and bottom and one knock-out floor entry



Product Image

Detailed product description

WALTHER Mini-combination 32A 5P 400V 6h IP44 wall socket
 made from PA6 material
 with Schuko socket 16A 230V 3P IP44
 with fuse 6.3 A G 5x20mm
 with screw terminal
 with two cable entries both top and bottom
 and one knock-out floor entry

Ordering Information

Order unit	Piece
Customs number	85366990
Net weight	0,63 kg
Packing quantity (VPE)	5
Length of the packaging	0,385 m
Width of the packaging	0,19 m
Depth of the packaging	0,18 m
Gross weight(VPE)	3,352 kg

Certificates

VDE certification

40001168



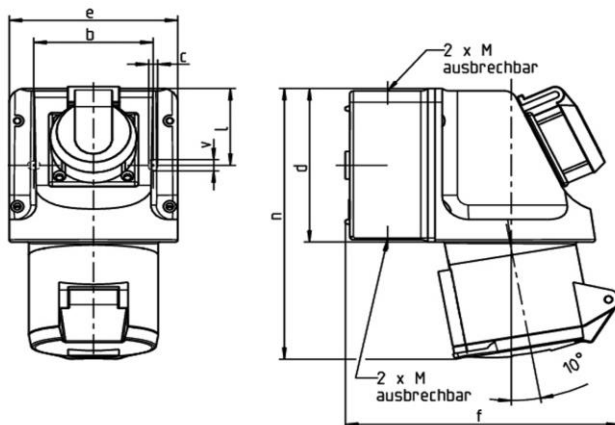
Classification system

Classification system	ETIM_6.0
ETIM Class	EC001321

Technical product data

Model	Surface mounted (plaster)
IEC-amperage	32 A
Amperage acc. UL/CSA (for UL-version)	30 A
Number of poles	5
Voltage acc. EN 60309-2	400 V (50+60 Hz) red
Clock hour position	6 h
Identification colour	Red
RAL-number	3000
Degree of protection (IP)	IP44
Connection system	Screwed terminal
Material	Plastic
Type of fastening	Inner lying mounting
Insulated mounting	True

Dimension sheet



Amp.	16		32	
	3	5	3	5
b	66,5	66,5	66,5	66,5
c	5	5	5	5
d	96	96	96	96
e	95	95	95	95
f	140	146	154	157
l	47,5	47,5	47,5	47,5
n	160	164	173	173
v	7	7	7	7
M	20/25	20/25	20/25	20/25