

## PRODUCT DATA SHEET

---

Part number 139

---

EAN 4015609000142

Manufacturer WALTHER-WERKE

WEEE-Reg.-Number: DE 22131895

---

### Product description

---

Waterproof wall socket for internal fixing 32A 5P 6h with two knock-out cable cable entries both top and bottom and knock-out floor entry on top



Product Image

### Detailed product description

---

WALTHER Wall socket 32A 5P 400V 6h IP67  
 made from PA6 material  
 with screw terminal  
 with two cable entries both top and bottom  
 and one knock-out floor entry  
 for internal fixing




### Ordering Information

---

Order unit	Piece
Customs number	85366990
Net weight	0,525 kg
Packing quantity (VPE)	5
Length of the packaging	0,385 m
Width of the packaging	0,19 m
Depth of the packaging	0,18 m
Gross weight(VPE)	2,827 kg

### Certificates

---

VDE certification	123021	
CQC certification	2004010203136960	
EAC certification	BY112.02.01.020 06089	

## Classification system

---

Classification system	ETIM_6.0
ETIM Class	EC001321

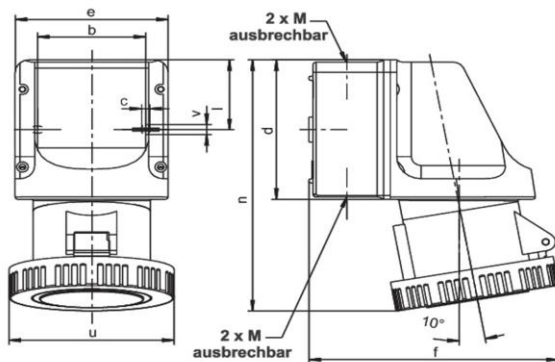
## Technical product data

---

Model	Surface mounted (plaster)
IEC-amperage	32 A
Amperage acc. UL/CSA (for UL-version)	30 A
Number of poles	5
Voltage acc. EN 60309-2	400 V (50+60 Hz) red
Clock hour position	6 h
Identification colour	Red
RAL-number	3000
Degree of protection (IP)	IP67
Connection system	Screwed terminal
Material	Plastic
Type of fastening	Inner lying mounting
Insulated mounting	True

## Dimension sheet

---



Amp.	16			32		
Pole	3	4	5	3	4	5
b	66,5	66,5	66,5	66,5	66,5	66,5
c	5	5	5	5	5	5
d	96	96	96	96	96	96
e	95	95	95	95	95	95
f	140	144	147	156	156	156
l	47,5	47,5	47,5	47,5	47,5	47,5
n	164	164	164	176	176	176
u	72	81	88	96	96	103
v	7	7	7	7	7	7
M	20/25	20/25	20/25	20/25	20/25	20/25