

PRODUCT DATA SHEET

Part number **163410**

EAN **4015609251360**

Manufacturer **WALTHER-WERKE**

WEEE-Reg.-Number: **DE 22131895**

Product description

Wall socket for internal fixing 63A 4P 10h with two top cable entries and two knock-out bottom cable entries



Similar image

Detailed product description

WALTHER Wall socket 63A 4P 50-500V 100-300Hz 10h IP44
 made from PA6 material
 for internal fixing
 with two top cable entries
 and two knock-out bottom cable entries

Ordering Information

Order unit	Piece
Customs number	85366990
Net weight	1,83 kg
Packing quantity (VPE)	1
Length of the packaging	
Width of the packaging	
Depth of the packaging	
Gross weight(VPE)	1,83 kg

Certificates

VDE certification **40000707**



UL certification

No. E188992



EAC certification

BY112.02.01.020 06089



Classification system

Classification system

ETIM_6.0

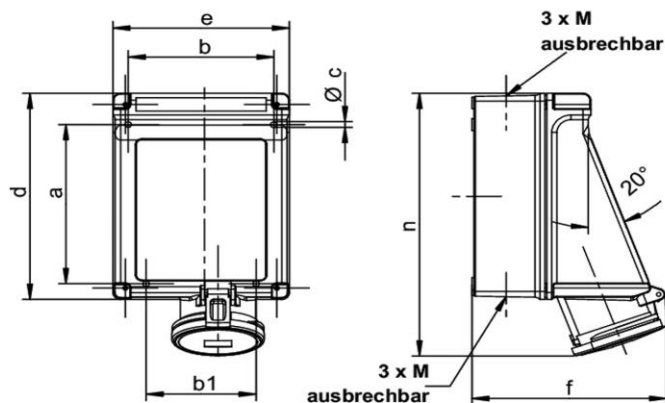
ETIM Class

EC001321

Technical product data

Model	Surface mounted (plaster)
IEC-amperage	63 A
Amperage acc. UL/CSA (for UL-version)	60 A
Number of poles	4
Voltage acc. EN 60309-2	50-500 V (100-300 Hz) green
Clock hour position	10 h
Identification colour	Green
RAL-number	6025
Degree of protection (IP)	IP44
Connection system	Screwed terminal
Material	Plastic
Type of fastening	Inner lying mounting
Insulated mounting	True

Dimension sheet



Amp.	63		
Pole	3	4	5
a	183	183	183
b	151	151	151
b1	114	114	114
c	6,5	6,5	6,5
d	237	237	237
e	183	183	183
f	196	196	196
n	302	302	302
M	25/32/40	25/32/40	25/32/40