

PRODUCT DATA SHEET

Part number 163

EAN 4015609251162

Manufacturer WALTHER-WERKE

WEEE-Reg.-Number: DE 22131895

Product description

Wall socket for internal fixing 63A 5P 6h with two top cable entries and two knock-out bottom cable entries



Product Image

Detailed product description

WALTHER Wall socket 63A 5P 400V 6h IP44
 made from PA6 material
 with two knock-out top and bottom cable entries
 for internal fixing

Ordering Information

Order unit	Piece
Customs number	85366990
Net weight	1,892 kg
Packing quantity (VPE)	1
Length of the packaging	
Width of the packaging	
Depth of the packaging	
Gross weight(VPE)	1,892 kg

Certificates

VDE certification 40000707



UL certification

No. E188992



EAC certification

BY112.02.01.020 06089



Classification system

Classification system

ETIM_6.0

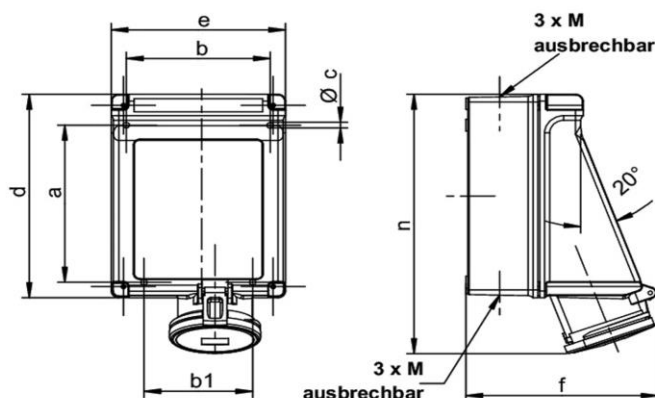
ETIM Class

EC001321

Technical product data

Model	Surface mounted (plaster)
IEC-amperage	63 A
Amperage acc. UL/CSA (for UL-version)	60 A
Number of poles	5
Voltage acc. EN 60309-2	400 V (50+60 Hz) red
Clock hour position	6 h
Identification colour	Red
RAL-number	3000
Degree of protection (IP)	IP44
Connection system	Screwed terminal
Material	Plastic
Type of fastening	Inner lying mounting
Insulated mounting	True

Dimension sheet



Amp.	63		
Pole	3	4	5
a	183	183	183
b	151	151	151
b1	114	114	114
c	6,5	6,5	6,5
d	237	237	237
e	183	183	183
f	196	196	196
n	302	302	302
M	25/32/40	25/32/40	25/32/40