

PRODUCT DATA SHEET

Part number 168306

EAN 4015609251568

Manufacturer WALTHER-WERKE

WEEE-Reg.-Number: DE 22131895

Product description

Waterproof wall socket for internal fixing 63A 3P 6h with two top cable entries and two knock-out bottom cable entries



Product Image

Detailed product description

WALTHER Wall socket 63A 3P 230V 6h IP67
 made from PA6 material
 for internal fixing
 with two top cable entries
 and two knock-out bottom cable entries

Ordering Information

Order unit	Piece
Customs number	85366990
Net weight	1,6 kg
Packing quantity (VPE)	1
Length of the packaging	
Width of the packaging	
Depth of the packaging	
Gross weight(VPE)	1,6 kg

Certificates

VDE certification 40000707



UL certification

No. E188992



EAC certification

BY112.02.01.020 06089



Classification system

Classification system

ETIM_6.0

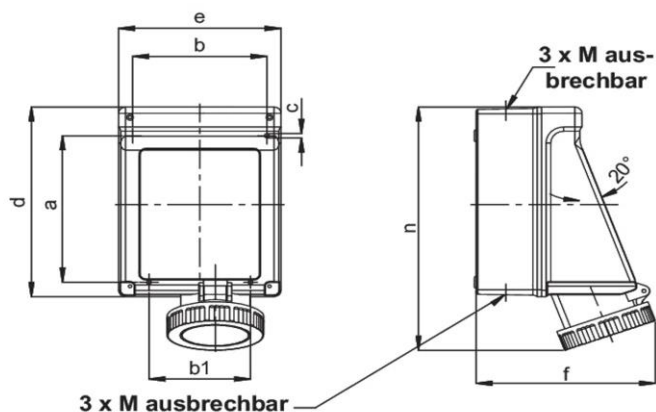
ETIM Class

EC001321

Technical product data

Model	Surface mounted (plaster)
IEC-amperage	63 A
Amperage acc. UL/CSA (for UL-version)	60 A
Number of poles	3
Voltage acc. EN 60309-2	230 V (50+60 Hz) blue
Clock hour position	6 h
Identification colour	Blue
RAL-number	5002
Degree of protection (IP)	IP67
Connection system	Screwed terminal
Material	Plastic
Type of fastening	Inner lying mounting
Insulated mounting	True

Dimension sheet



Amp.	63		
Pole	3	4	5
a	183	183	183
b	151	151	151
b1	114	114	114
c	6,5	6,5	6,5
d	237	237	237
e	183	183	183
f	209	209	209
n	309	309	309
M	25/32/40	25/32/40	25/32/40