

PRODUCT DATA SHEET

Part number 169410

EAN 4015609160501

Manufacturer WALThER-WERKE

WEEE-Reg.-Number: DE 22131895

Product description

Waterproof wall socket for internal fixing 63A 4P 10h with top cable entry and two knock-out bottom cable entries, rotatable base



Product Image

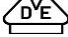

Detailed product description

WALThER Wall socket 63A 4P 50-500V 100-300Hz 10h IP67
 made from PA6 material
 for internal fixing
 one open top cable entry
 and two knock-out bottom cable entries
 base rotatable by 180 degrees

Ordering Information

Order unit	Piece
Customs number	85366990
Net weight	1,086 kg
Packing quantity (VPE)	2
Length of the packaging	
Width of the packaging	
Depth of the packaging	
Gross weight(VPE)	2,172 kg

Certificates

VDE certification	40000707	
EAC certification	BY112.02.01.020 06089	

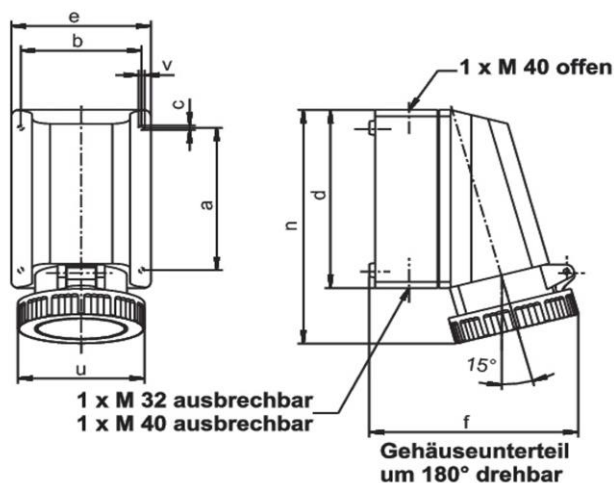
Classification system

Classification system	ETIM_6.0
ETIM Class	EC001321

Technical product data

Model	Surface mounted (plaster)
IEC-amperage	63 A
Amperage acc. UL/CSA (for UL-version)	60 A
Number of poles	4
Voltage acc. EN 60309-2	50-500 V (100-300 Hz) green
Clock hour position	10 h
Identification colour	Green
RAL-number	6025
Degree of protection (IP)	IP67
Connection system	Screwed terminal
Material	Plastic
Type of fastening	Inner lying mounting
Insulated mounting	True

Dimension sheet



Amp.	63		
Pole	3	4	5
a	136	136	136
b	104	104	104
c	4,2	4,2	4,2
d	172	172	172
e	121	121	121
f	178	178	178
n	224	224	224
v	5	5	5