

## PRODUCT DATA SHEET

---

Part number 179504

---

EAN 4015609011766

Manufacturer WALTHER-WERKE

WEEE-Reg.-Number: DE 22131895

### Product description

---

Waterproof wall socket for internal fixing 125A 5P 4h with two cable entries both top and bottom and terminal set



Product image

### Detailed product description

---

WALTHER Wall socket 125A 5P 110V 4h IP67  
 made from PA6 material  
 multi-contact = higher contact pressure – light pull-off force  
 for internal fixing  
 two top cable entries: M50/M20  
 and two bottom cable entries: M40  
 with terminal set 5x50 qmm



### Ordering Information

---

Order unit	Piece
Customs number	85366990
Net weight	3,8 kg
Packing quantity (VPE)	1
Length of the packaging	
Width of the packaging	
Depth of the packaging	
Gross weight(VPE)	3,8 kg

### Certificates

---

VDE certification	123029	
EAC certification	BY112.02.01.020 06089	

## Classification system

---

Classification system	ETIM_6.0
ETIM Class	EC001321

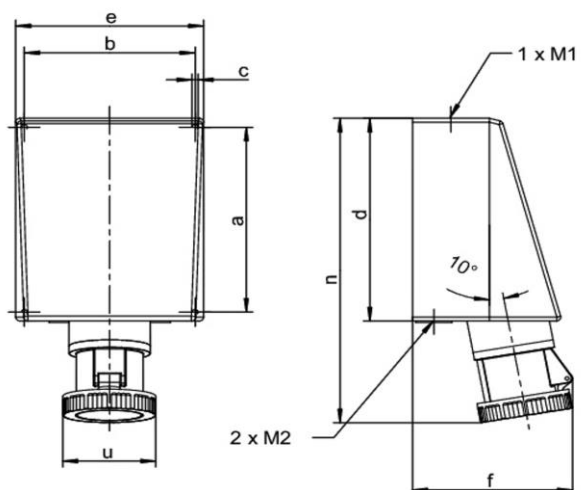
## Technical product data

---

Model	Surface mounted (plaster)
IEC-amperage	125 A
Amperage acc. UL/CSA (for UL-version)	100 A
Number of poles	5
Voltage acc. EN 60309-2	110 V (50+60 Hz) yellow
Clock hour position	4 h
Identification colour	Yellow
RAL-number	1018
Degree of protection (IP)	IP67
Connection system	Screwed terminal
Material	Plastic
Type of fastening	Inner lying mounting
Insulated mounting	True

## Dimension sheet

---



Amp.	125		
Pole	3	4	5
a	240	240	240
b	200	200	200
c	7	7	7
d	263	263	263
e	220	220	220
f	190	190	190
n	406	406	406
u	130	130	130
M 1	20/50	20/50	20/50
M 2	40	40	40