

PRODUCT DATA SHEET

Part number 212304

EAN 4015609128815

Manufacturer WALTHER-WERKE

WEEE-Reg.-Number: DE 22131895

Product description

Plug 16A 3P 4h with grommet and eye for padlock



Similar image






Detailed product description

WALTHER Plug 16A 3P 110V 4h IP44
 made from PA6 material
 with screw terminal
 with grommet
 and eye for padlock for locking
 with panel socket 512306/512304/512309
 Increased safety due to injected 2K seal
 and two contact screws.

Ordering Information

Order unit	Piece
Customs number	85366990
Net weight	0,113 kg
Packing quantity (VPE)	10
Length of the packaging	
Width of the packaging	
Depth of the packaging	
Gross weight(VPE)	1,13 kg

Certificates

VDE/ENEC certification	40024787	
UL certification	No. E329476	
UL certification	No. E188992	
EAC certification	BY112.02.01.020 06090	
CSA certification	70096522	

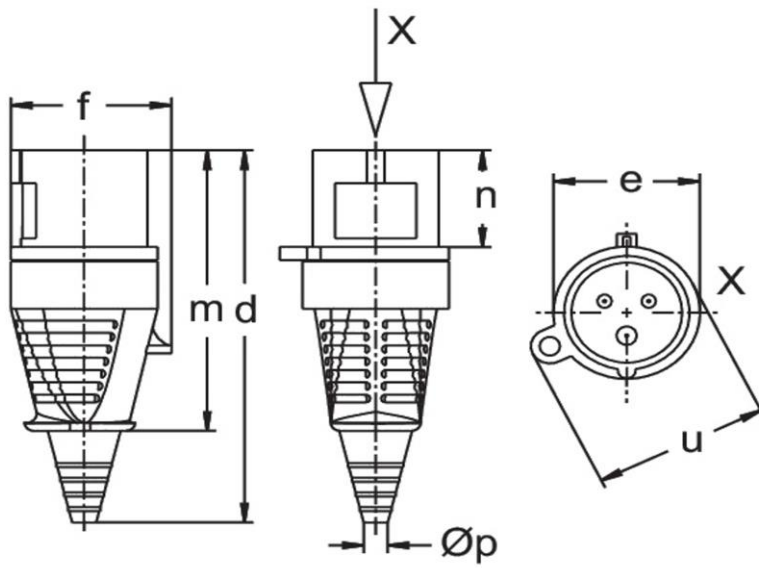
Classification system

Classification system	ETIM_6.0
ETIM Class	EC000140

Technical product data

IEC-amperage	16 A
Amperage acc. UL/CSA (for UL-version)	20 A
Number of poles	3
Voltage acc. EN 60309-2	110 V (50+60 Hz) yellow
Clock hour position	4 h
Identification colour	Yellow
RAL-number	1018
Degree of protection (IP)	IP44
Connection system	Screwed terminal
Cable entry	Anti-kink sleeve
Angle of plug	Straight
Material	Plastic

Dimension sheet



Amp.	16
Pole	3
d	143
e	51
f	60
m	108
n	37
Øp	7/13
u	61