

## PRODUCT DATA SHEET

---

Part number 219304

---

EAN 4015609013074

Manufacturer WALTHER-WERKE

WEEE-Reg.-Nr: DE 22131895

### Product description

---

Waterproof Plug 16A 3P 4h with cable gland



Product Image

### Detailed product description

---

WALTHER Plug 16A 3P 110V 4h IP67

made from PA6 material

with screw terminal

and cable gland

Increased safety due to injected 2K seal and two contact screws.

### Ordering information

---






order unit	Piece
customs number	85366990
net weight	0.134 kg
packing quantity (VPE)	10
length of the packaging	0.31 m
width of the packaging	0.195 m
depth of the packaging	0.14 m
gross weight(VPE)	1.488 kg

### Conformities

---

CE conformity	√
RoHS directive	2011/65/EU
RoHS directive	2015/863/EU
REACH regulation	1907/2006

## Certification

VDE/ENEC certification	40024787	
UL certification	No. E329476	
UL certification	No. E188992	
CQC certification	2004010203136930	
EAC certification	BY112.02.01.020 06090	

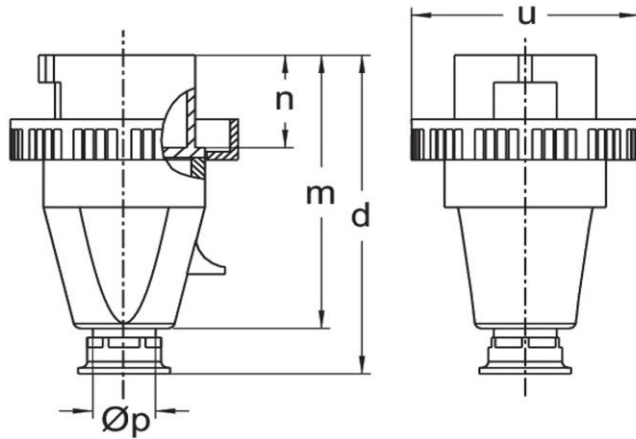
## Classification system

classification system	ETIM_7.0
ETIM Class	EC000140

## Technical product data

IEC-amperage	16 A
Amperage according to UL/CSA (for UL-version)	20 A
Number of poles	3
Voltage according to EN 60309-2	110 V (50+60 Hz) yellow
Clock hour position	4 h
Identification colour	Yellow
Conductor cross-section	1 - 2.5 mm <sup>2</sup>
Cable diameter	7.5 - 14.5 mm
Cable strip length	30 mm +/- 2 mm
Cable ferrules length	10 mm +/- 1 mm
Maximum torque terminal screw	0.8 Nm
Maximum torque cable gland	4 Nm
Degree of protection (IP)	IP67
Connection system	Screwed terminal
Contact material	Nickel-plated brass
Cable entry	Swivel
Angle of plug	Straight
Material	Plastic
Inflammability class of insulation material according to with UL94	V2

## Dimension sheet



<b>Amp.</b>	16	16	32
<b>Pole</b>	3	5	5
<b>d</b>	126	132	156
<b>m</b>	110	114	135
<b>n</b>	37	37	46
<b>u</b>	72	88	103
<b>Øp</b>	7,5-14,5	7,5-14,5	10-19,5