

PRODUCT DATA SHEET

Part number 230409

EAN 4015609013500

Manufacturer WALTHER-WERKE

WEEE-Reg.-Nr: DE 22131895

Product description

Plug 32A 4P 9h with external cable gland



Product Image

Detailed product description

WALTHER Plug 32A 4P 230V 9h IP44

made from PA6 material

with screw terminal

and external cable gland

Increased safety due to injected 2K seal and two contact screws.




Ordering information

order unit	Piece
customs number	85366990
net weight	0.274 kg
packing quantity (VPE)	10
length of the packaging	0.31 m
width of the packaging	0.195 m
depth of the packaging	0.14 m
gross weight(VPE)	2.888 kg

Conformities

CE conformity	v
RoHS directive	2011/65/EU
RoHS directive	2015/863/EU
REACH regulation	1907/2006

Certification

VDE/ENEC certification	40021520	
UL certification	No. E329476	
EAC certification	BY112.02.01.020 06090	

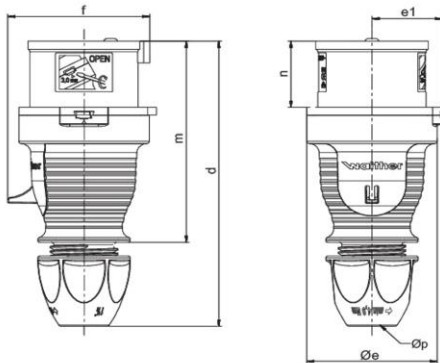
Classification system

classification system	ETIM_7.0
ETIM Class	EC000140

Technical product data

IEC-amperage	32 A
Amperage according to UL/CSA (for UL-version)	30 A
Number of poles	4
Voltage according to EN 60309-2	230 V (50+60Hz) blue
Clock hour position	9 h
Identification colour	Blue
Conductor cross-section	2.5 - 6 mm ²
Cable diameter	10 - 22.5 mm
Cable strip length	45 mm +/- 2.5 mm
Cable ferrules length	10 mm +/- 1 mm
Maximum torque terminal screw	0.8 Nm
Maximum torque cable gland	4 Nm
Degree of protection (IP)	IP44
Connection system	Screwed terminal
Contact material	Brass standard
Cable entry	Swivel
Angle of plug	Straight
Material	Plastic
Inflammability class of insulation material according to with UL94	V2

Dimension sheet



Amp.	16	16	32	32	32
Pole	4	5	3	4	5
d	150-161	150-161	173-185	173-185	174-183
Øe	65	65	72	72	72
e1	35	35	38,5	38,5	38,5
f	63	71	75	75	83
m	111	111	128	128	128
n	37	37	45,5	45,5	45,5
Øp	7,5 - 18,5	7,5-18,5	10 - 22,5	10 - 22,5	10 - 22,5