

PRODUCT DATA SHEET

Part number 230706

EAN 4015609013661

Manufacturer WALTHER-WERKE

WEEE-Reg.-Nr: DE 22131895

Product description

Plug 32A 7P 6h with grommet



Product Image

Detailed product description

WALTHER Plug 32A 7P 400V 6h IP44

made from PA6 material

with screw terminal

and grommet

Increased safety due to injected 2K seal and two contact screws.

Ordering information

order unit	Piece
customs number	85366990
net weight	0.291 kg
packing quantity (VPE)	10
length of the packaging	0.31 m
width of the packaging	0.195 m
depth of the packaging	0.14 m
gross weight(VPE)	2.91 kg

Conformities

CE conformity	√
RoHS directive	2011/65/EU
RoHS directive	2015/863/EU
REACH regulation	1907/2006

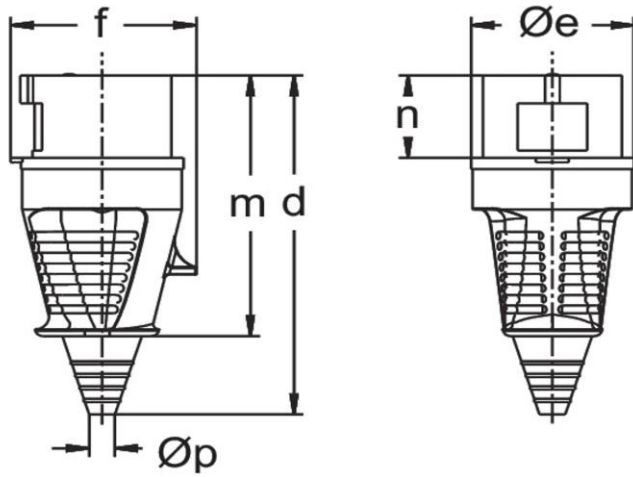
Classification system

classification system	ETIM_7.0
ETIM Class	EC000140

Technical product data

IEC-amperage	32 A
Number of poles	7
Voltage according to EN 60309-2	400 V (50+60 Hz) red
Clock hour position	6 h
Identification colour	Red
Conductor cross-section	2.5 - 6 mm ²
Cable diameter	11 - 24 mm
Cable strip length	45 mm +/- 2.5 mm
Cable ferrules length	10 mm +/- 1 mm
Maximum torque terminal screw	0.8 Nm
Maximum torque cable gland	4 Nm
Degree of protection (IP)	IP44
Connection system	Screwed terminal
Contact material	Brass standard
Cable entry	Anti-kink sleeve
Angle of plug	Straight
Material	Plastic
Inflammability class of insulation material according to with UL94	V2

Dimension sheet



Amp.	16	32
Pole	7	7
d	153	181
Øe	65	72
f	75	88
m	117	138
n	37	46
Øp	8/21	11/24