

## PRODUCT DATA SHEET

---

Part number 231309

---

EAN 4015609013760

Manufacturer WALTHER-WERKE

WEEE-Reg.-Nr: DE 22131895

### Product description

---

Plug 32A 3P 9h with cable gland



Product Image

### Detailed product description

---

WALTHER Plug 32A 3P 400V 9h IP44

made from PA6 material

with screw terminal

and cable gland

Increased safety due to injected 2K seal and two contact screws.

### Ordering information

---




|                         |          |
|-------------------------|----------|
| order unit              | Piece    |
| customs number          | 85366990 |
| net weight              | 0.211 kg |
| packing quantity (VPE)  | 10       |
| length of the packaging | 0.31 m   |
| width of the packaging  | 0.195 m  |
| depth of the packaging  | 0.14 m   |
| gross weight(VPE)       | 2.258 kg |

### Conformities

---

|                  |             |
|------------------|-------------|
| CE conformity    | v           |
| RoHS directive   | 2011/65/EU  |
| RoHS directive   | 2015/863/EU |
| REACH regulation | 1907/2006   |

## Certification

|                        |                       |   |
|------------------------|-----------------------|---|
| VDE/ENEC certification | 40021520              |  |
| UL certification       | No. E329476           |  |
| EAC certification      | BY112.02.01.020 06090 |  |

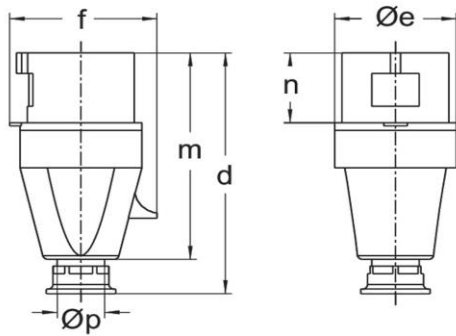
## Classification system

|                       |          |
|-----------------------|----------|
| classification system | ETIM_7.0 |
| ETIM Class            | EC000140 |

## Technical product data

|  |                         |
|--|-------------------------|
| IEC-amperage   | 32 A                    |
| Amperage according to UL/CSA (for UL-version)                      | 30 A                    |
| Number of poles  | 3                       |
| Voltage according to EN 60309-2                                    | 400 V (50+60 Hz) red    |
| Clock hour position  | 9 h                     |
| Identification colour  | Red                     |
| Conductor cross-section  | 2.5 - 6 mm <sup>2</sup> |
| Cable diameter   | 10 - 19.5 mm            |
| Cable strip length   | 45 mm +/- 2.5 mm        |
| Cable ferrules length  | 10 mm +/- 1 mm          |
| Maximum torque terminal screw                                      | 0.8 Nm                  |
| Maximum torque cable gland   | 4 Nm                    |
| Degree of protection (IP)  | IP44                    |
| Connection system  | Screwed terminal        |
| Contact material   | Brass standard          |
| Cable entry  | Swivel                  |
| Angle of plug  | Straight                |
| Material   | Plastic                 |
| Inflammability class of insulation material according to with UL94 | V2                      |

## Dimension sheet



| Amp. | 16       |          |          | 32      |         |         | 63      |         |         |
|------|----------|----------|----------|---------|---------|---------|---------|---------|---------|
| Pole | 3        | 4        | 5        | 3       | 4       | 5       | 3       | 4       | 5       |
| d    | 123      | 131      | 131      | 155     | 155     | 155     | 240     | 240     | 240     |
| Øe   | 51       | 65       | 65       | 73      | 73      | 73      | 81      | 81      | 81      |
| f    | 60       | 68       | 75       | 79      | 79      | 88      | 97      | 97      | 97      |
| m    | 118      | 112      | 112      | 133     | 133     | 133     | 192     | 192     | 192     |
| n    | 37       | 37       | 37       | 46      | 46      | 46      | 67      | 67      | 67      |
| Øp   | 7,5-14,5 | 7,5-14,5 | 7,5-14,5 | 10-19,5 | 10-19,5 | 10-19,5 | 18-34,5 | 18-34,5 | 18-34,5 |