

## PRODUCT DATA SHEET

---

Part number **231404**

---

EAN **4015609013821**

Manufacturer **WALTHER-WERKE**

WEEE-Reg.-Number: **DE 22131895**

---

### Product description

---

Plug 32A 4P 4h with cable gland



Similar image

### Detailed product description

---

WALTHER Plug 32A 4P 110V 4h IP44

made from PA6 material

with screw terminal

and cable gland

Increased safety due to injected 2K seal

and two contact screws.





### Ordering Information

---

Order unit	Piece
Customs number	85366990
Net weight	0,217 kg
Packing quantity (VPE)	10
Length of the packaging	
Width of the packaging	
Depth of the packaging	
Gross weight(VPE)	2,17 kg

### Certificates

---

VDE/ENEC certification	40021520	
UL certification	No. E329476	
EAC certification	BY112.02.01.020 06090	
CSA certification	70096522	

## Classification system

---

Classification system	ETIM_6.0
ETIM Class	EC000140

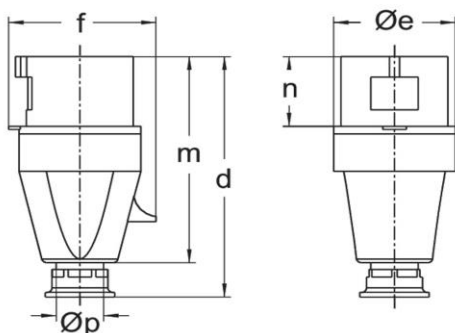
## Technical product data

---

IEC-amperage	32 A
Amperage acc. UL/CSA (for UL-version)	30 A
Number of poles	4
Voltage acc. EN 60309-2	110 V (50+60 Hz) yellow
Clock hour position	4 h
Identification colour	Yellow
RAL-number	1018
Degree of protection (IP)	IP44
Connection system	Screwed terminal
Cable entry	Swivel
Angle of plug	Straight
Material	Plastic

## Dimension sheet

---



Amp.	16			32			63		
Pole	3	4	5	3	4	5	3	4	5
d	123	131	131	155	155	155	240	240	240
Øe	51	65	65	73	73	73	81	81	81
f	60	68	75	79	79	88	97	97	97
m	118	112	112	133	133	133	192	192	192
n	37	37	37	46	46	46	67	67	67
Øp	7,5-14,5	7,5-14,5	7,5-14,5	10-19,5	10-19,5	10-19,5	18-34,5	18-34,5	18-34,5