

PRODUCT DATA SHEET

| | |
|---------------|---------------|
| Part number | 231PHNI |
| EAN | 4015609169368 |
| Manufacturer | WALTHER-WERKE |
| WEEE-Reg.-Nr: | DE 22131895 |

Product description

Phase inverter Plug 32A 5P 6h with cable gland for harsh environments



Product Image

Detailed product description

WALTHER Plug 32A 5P 400V 6h IP44
 as phase inverter
 made from PA6 material
 with screw terminal
 and cable gland
 for harsh environments

Ordering information

| | |
|-------------------------|----------|
| order unit | Piece |
| customs number | 85366990 |
| net weight | 0.257 kg |
| packing quantity (VPE) | 10 |
| length of the packaging | 0.31 m |
| width of the packaging | 0.195 m |
| depth of the packaging | 0.14 m |
| gross weight(VPE) | 2.718 kg |

Conformities

| | |
|------------------|-------------|
| CE conformity | √ |
| RoHS directive | 2011/65/EU |
| RoHS directive | 2015/863/EU |
| REACH regulation | 1907/2006 |

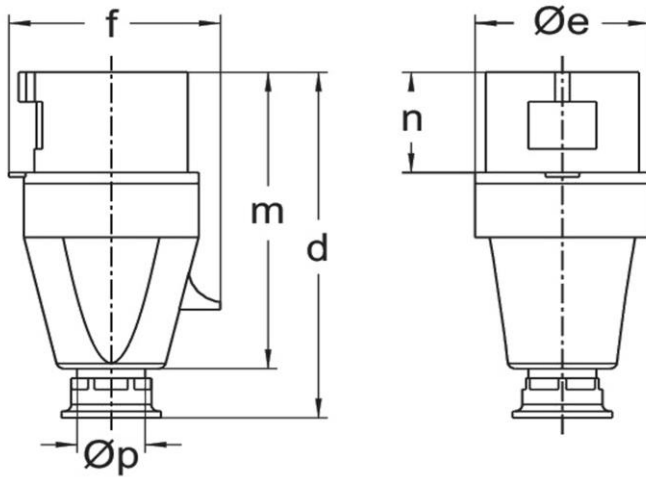
Classification system

| | |
|-----------------------|----------|
| classification system | ETIM_7.0 |
| ETIM Class | EC000140 |

Technical product data

| | |
|--|-------------------------|
| IEC-ampereage | 32 A |
| Number of poles | 5 |
| Voltage according to EN 60309-2 | 400 V (50+60 Hz) red |
| Clock hour position | 6 h |
| Identification colour | Red |
| Conductor cross-section | 2.5 - 6 mm ² |
| Cable diameter | 10 - 19.5 mm |
| Cable strip length | 45 mm +/- 2.5 mm |
| Cable ferrules length | 10 mm +/- 1 mm |
| Maximum torque terminal screw | 0.8 Nm |
| Maximum torque cable gland | 4 Nm |
| Phase inverter | ✓ |
| Degree of protection (IP) | IP44 |
| Connection system | Screwed terminal |
| Contact material | Nickel-plated brass |
| Cable entry | Swivel |
| Angle of plug | Straight |
| Material | Plastic |
| Inflammability class of insulation material according to with UL94 | V2 |

Dimension sheet



| | | |
|-------------|------------|-----------|
| Amp. | 16 | 32 |
| Pole | 5 | 5 |
| d | 131 | 155 |
| Øe | 65 | 73 |
| f | 75 | 88 |
| m | 112 | 133 |
| n | 37 | 46 |
| Øp | 7,5 - 14,5 | 10 - 19,5 |