

PRODUCT DATA SHEET

Part number 260306

EAN 4015609014552

Manufacturer WALTHER-WERKE

WEEE-Reg.-Nr: DE 22131895

Product description

Plug 63A 3P 6h with grommet



Similar image

Detailed product description

WALTHER Plug 63A 3P 230V 6h IP44

made from PA6 material

with screw terminal

with grommet

and pilot contact




Ordering information

order unit	Piece
customs number	85366990
net weight	0.4707 kg
packing quantity (VPE)	5
length of the packaging	0.31 m
width of the packaging	0.195 m
depth of the packaging	0.14 m
gross weight(VPE)	2.5015 kg

Conformities

CE conformity	v
RoHS directive	2011/65/EU
RoHS directive	2015/863/EU
REACH regulation	1907/2006

Certification

VDE certification	40000693	
UL certification	No. E329476	
EAC certification	BY112.02.01.020 06090	

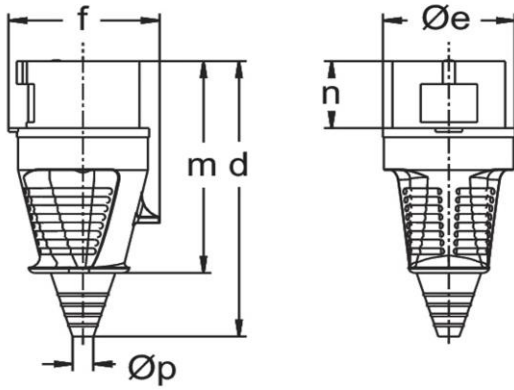
Classification system

classification system	ETIM_7.0
ETIM Class	EC000140

Technical product data

IEC-amperage	63 A
Amperage according to UL/CSA (for UL-version)	60 A
Number of poles	3
Voltage according to EN 60309-2	230 V (50+60Hz) blue
Clock hour position	6 h
Identification colour	Blue
Conductor cross-section	6 - 16 mm ²
Cable diameter	15 - 33 mm
Cable strip length	60 mm +/- 2.5 mm
Cable ferrules length	12 mm +/- 1 mm
Maximum torque terminal screw	2 Nm
Maximum torque back shell	2.5 Nm
Maximum torque cable gland	4 Nm
Maximum torque strain relief	3 Nm
Degree of protection (IP)	IP44
Connection system	Screwed terminal
Contact material	Brass standard
Cable entry	Anti-kink sleeve
Angle of plug	Straight
Material	Plastic
Inflammability class of insulation material according to with UL94	V2

Dimension sheet



Amp.	16		32	63		
Pole	3	5	5	3	4	5
d	141	153	181	252	252	252
Øe	51	65	72	81	81	81
f	60	75	88	97	97	97
m	108	117	138	192	192	192
n	37	37	46	67	67	67
Øp	7/13	8/21	11/24	15/33	15/33	15/33