

## PRODUCT DATA SHEET

---

Part number 260402

---

EAN 4015609014576

Manufacturer WALTHER-WERKE

WEEE-Reg.-Number: DE 22131895

### Product description

---

Plug 63A 4P 2h with grommet



Similar image

### Detailed product description

---

WALTHER Plug 63A 4P 50-500V 300-500Hz 2h IP44

made from PA6 material

with screw terminal and grommet

Increased safety due to injected 2K seal

and two contact screws.

### Ordering Information

---

Order unit	Piece
Customs number	85366990
Net weight	0,527 kg
Packing quantity (VPE)	5
Length of the packaging	
Width of the packaging	
Depth of the packaging	
Gross weight(VPE)	2,635 kg

### Certificates

---

VDE certification 40000693



UL certification

No. E329476



EAC certification

BY112.02.01.020 06090



## Classification system

Classification system

ETIM\_6.0

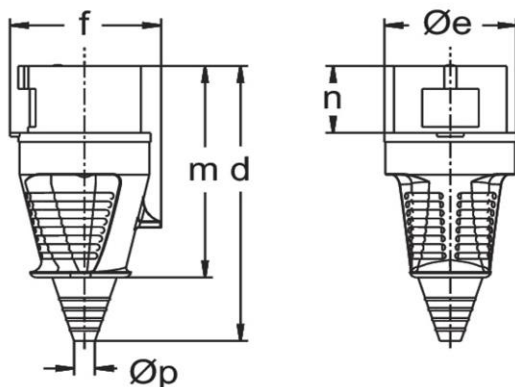
ETIM Class

EC000140

## Technical product data

IEC-amperage	63 A
Amperage acc. UL/CSA (for UL-version)	60 A
Number of poles	4
Voltage acc. EN 60309-2	50-500 V (>300-500 Hz) green
Clock hour position	2 h
Identification colour	Green
RAL-number	6025
Degree of protection (IP)	IP44
Connection system	Screwed terminal
Cable entry	Anti-kink sleeve
Angle of plug	Straight
Material	Plastic

## Dimension sheet



Amp.	16		32	63		
Pole	3	5	5	3	4	5
d	141	153	181	252	252	252
Øe	51	65	72	81	81	81
f	60	75	88	97	97	97
m	108	117	138	192	192	192
n	37	37	46	67	67	67
Øp	7/13	8/21	11/24	15/33	15/33	15/33