

## PRODUCT DATA SHEET

---

Part number 310304

---

EAN 4015609015504

Manufacturer WALTHER-WERKE

WEEE-Reg.-Number: DE 22131895

### Product description

---

Coupler 16A 3P 4h with external grommet



Product image

### Detailed product description

---

WALTHER Coupler 16A 3P 110V 4h IP44

made from PA6 material

with screw terminal

with and an injected 2K seal

Increased safety due to two contact screws.

### Ordering Information

---





Order unit	Piece
Customs number	85366990
Net weight	0,15 kg
Packing quantity (VPE)	10
Length of the packaging	0,31 m
Width of the packaging	0,163 m
Depth of the packaging	0,113 m
Gross weight(VPE)	1,612 kg

### Certificates

---

VDE certification 123016



UL certification	No. E329476	
CQC certification	2004010203136970	
EAC certification	BY112.02.01.020 06101	
CSA certification	70096522	

## Classification system

---

Classification system	ETIM_6.0
ETIM Class	EC001320

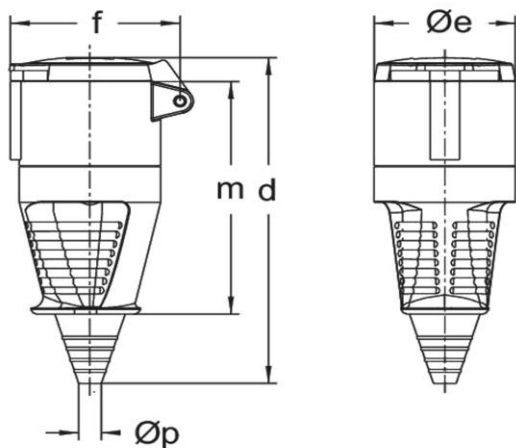
## Technical product data

---

IEC-amperage	16 A
Amperage acc. UL/CSA (for UL-version)	20 A
Number of poles	3
Voltage acc. EN 60309-2	110 V (50+60 Hz) yellow
Clock hour position	4 h
Identification colour	Yellow
RAL-number	1018
Degree of protection (IP)	IP44
Connection system	Screwed terminal
Angle of plug	Straight
Cable entry	Anti-kink sleeve
Material	Plastic

## Dimension sheet

---



Amp.	16		63	
Pole	3	3	4	5
d	154	266	266	266
Øe	51	96	96	96
f	68	114	114	114
m	109	196	196	196
Øp	7/13	15/33	15/33	15/33