

PRODUCT DATA SHEET

Part number 310306AS

EAN 4015609515073

Manufacturer WALTHER-WERKE

WEEE-Reg.-Number: DE 22131895

Product description

Coupler 16A 3P 6h with cable gland and eye for padlock



Similar image

Detailed product description

WALTHER Coupler 16A 3P 230V 6h IP44
 made from PA6 material
 with screw terminal
 with, eye for padlock and an injected 2K seal
 Increased safety due to two contact screws.

Ordering Information

Order unit	Piece
Customs number	85366990
Net weight	0,16 kg
Packing quantity (VPE)	10
Length of the packaging	0,31 m
Width of the packaging	0,163 m
Depth of the packaging	0,113 m
Gross weight(VPE)	1,712 kg

Classification system

Classification system ETIM_6.0

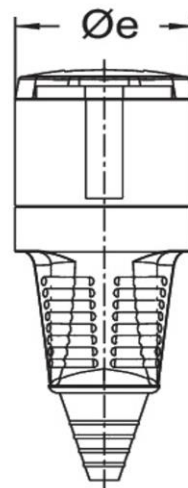
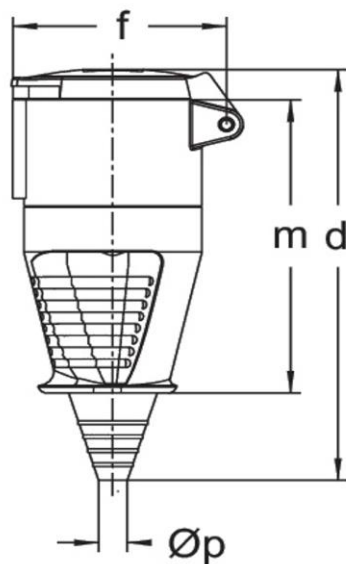
ETIM Class

EC001320

Technical product data

IEC-amperage	16 A
Amperage acc. UL/CSA (for UL-version)	20 A
Number of poles	3
Voltage acc. EN 60309-2	230 V (50+60 Hz) blue
Clock hour position	6 h
Identification colour	Blue
RAL-number	5002
Degree of protection (IP)	IP44
Connection system	Screw less terminal
Angle of plug	Straight
Cable entry	Anti-kink sleeve
Material	Plastic

Dimension sheet



Amp.	16
Pole	3
d	154
Øe	51
f	68
m	109
Øp	7/13