

## PRODUCT DATA SHEET

---

Part number 311SW

---

EAN 4015609426072

Manufacturer WALTHER-WERKE

WEEE-Reg.-Number: DE 22131895

### Product description

---

Coupler 16A 5P 6h with cable gland for lighting and stage technology



Similar image

### Detailed product description

---

WALTHER Coupler 16A 5P 400V 6h IP44  
 made from PA6 material  
 colour: black  
 with screw terminal  
 and cable gland  
 for lighting and stage technology  
 Increased safety due to injected 2K seal  
 and two contact screws.

### Ordering Information

---

Order unit	Piece
Customs number	85366990
Net weight	0,214 kg
Packing quantity (VPE)	10
Length of the packaging	0,31 m
Width of the packaging	0,163 m
Depth of the packaging	0,113 m
Gross weight(VPE)	2,252 kg

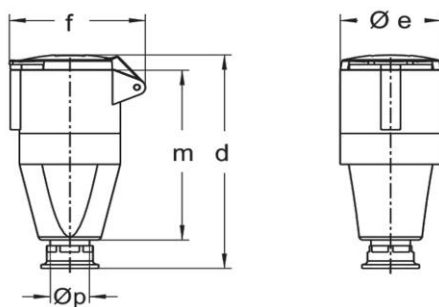
## Classification system

Classification system	ETIM_6.0
ETIM Class	EC001320

## Technical product data

IEC-amperage	16 A
Amperage acc. UL/CSA (for UL-version)	20 A
Number of poles	5
Voltage acc. EN 60309-2	400 V (50+60 Hz) red
Clock hour position	6 h
Identification colour	Red
Degree of protection (IP)	IP44
Connection system	Screwed terminal
Angle of plug	Straight
Cable entry	Swivel
Material	Plastic

## Dimension sheet



Amp.	16			32			63		
Pole	3	4	5	3	4	5	3	4	5
d	135	151	151	171	171	171	255	255	255
Øe	51	65	65	72	72	72	96	96	96
f	68	85	85	91	91	98	114	114	114
m	110	113	113	136	136	136	194	194	194
Øp	7,5-14,5	7,5-14,5	7,5-14,5	10-19,5	10-19,5	10-19,5	18-34,5	18-34,5	18-34,5