

PRODUCT DATA SHEET

Part number 315304

EAN 4015609016280

Manufacturer WALTHER-WERKE

WEEE-Reg.-Number: DE 22131895

Product description

Coupler 16A 3P 4h with internal grommet



Similar image

Detailed product description

WALTHER Coupler 16A 3P 110V 4h IP44

made from PA6 material

with screw terminal

with internal grommet



and an injected 2K seal

Increased safety due to two contact screws.

Ordering Information

Order unit	Piece
Customs number	85366990
Net weight	0,14 kg
Packing quantity (VPE)	10
Length of the packaging	0,31 m
Width of the packaging	0,163 m
Depth of the packaging	0,113 m
Gross weight(VPE)	1,512 kg

Certificates

VDE certification	123016	
EAC certification	BY112.02.01.020 06101	

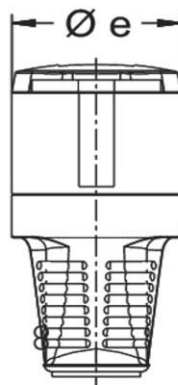
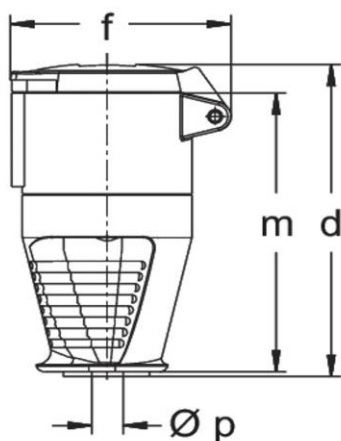
Classification system

Classification system	ETIM_6.0
ETIM Class	EC001320

Technical product data

IEC-amperage	16 A
Amperage acc. UL/CSA (for UL-version)	20 A
Number of poles	3
Voltage acc. EN 60309-2	110 V (50+60 Hz) yellow
Clock hour position	4 h
Identification colour	Yellow
RAL-number	1018
Degree of protection (IP)	IP44
Connection system	Screwed terminal
Angle of plug	Straight
Cable entry	Anti-kink sleeve
Material	Plastic

Dimension sheet



Amp.	16
Pole	3
d	121
$\varnothing e$	51
f	68
m	108
$\varnothing p$	8/15