

## PRODUCT DATA SHEET

---

Part number **316304**

EAN **4015609016303**

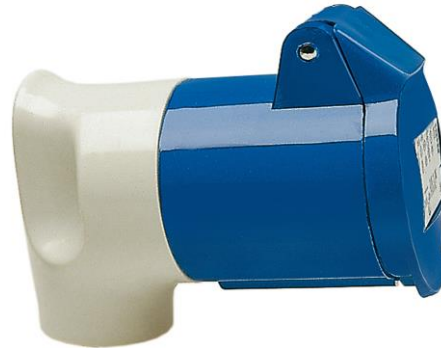
Manufacturer **WALTER-WERKE**

WEEE-Reg.-Number: **DE 22131895**

### Product description

---

MONDO angled coupler 16A 3P 4h



Similar image

### Detailed product description

---

WALTER angled Coupler 16A 3P 110V 4h IP44  
 from the MONDO series  
 made from PA6 material  
 with screw terminal  
 and grommet

### Ordering Information

---

Order unit	Piece
Customs number	85366990
Net weight	0,138 kg
Packing quantity (VPE)	10
Length of the packaging	0,31 m
Width of the packaging	0,163 m
Depth of the packaging	0,113 m
Gross weight(VPE)	1,492 kg




### Certificates

---

VDE/ENEC certification

40024796



UL certification	No. E329476	
EAC certification	BY112.02.01.020 06101	
CSA certification	70096522	

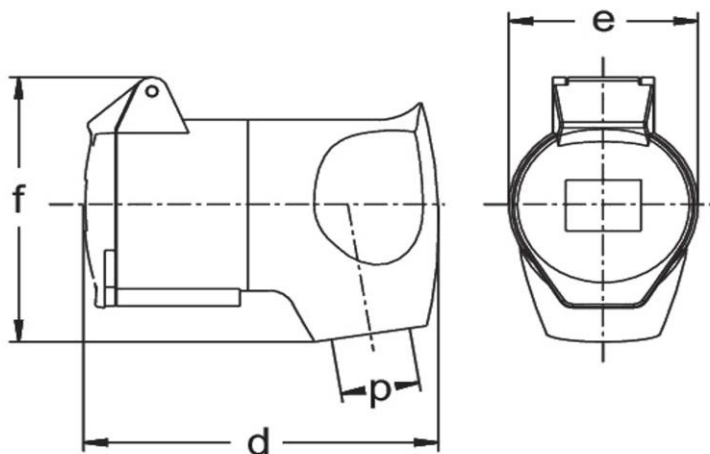
## Classification system

Classification system	ETIM_6.0
ETIM Class	EC001320

## Technical product data

IEC-amperage	16 A
Amperage acc. UL/CSA (for UL-version)	20 A
Number of poles	3
Voltage acc. EN 60309-2	110 V (50+60 Hz) yellow
Clock hour position	4 h
Identification colour	Yellow
RAL-number	1018
Degree of protection (IP)	IP44
Connection system	Screwed terminal
Angle of plug	Angled
Cable entry	Anti-kink sleeve
Material	Plastic

## Dimension sheet



<b>Amp.</b>	<b>16</b>
<b>Pole</b>	<b>3</b>
d	95
e	50,3
f	80
p	8/13