

PRODUCT DATA SHEET

Part number 316406PW

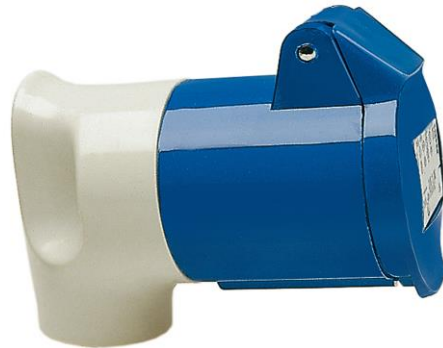
EAN 4015609745265

Manufacturer WALTHER-WERKE

WEEE-Reg.-Number: DE 22131895

Product description

MONDO Angled Coupler 16A 4P 6h with internal grommet in pearl white



Product image

Detailed product description

WALTHER MONDO Angled Coupler 16A 4P 400V 6h IP44
 with rear part RAL 1013
 and internal grommet
 in pearl white

Ordering Information

Order unit	Piece
Customs number	85366990
Net weight	
Packing quantity (VPE)	10
Length of the packaging	
Width of the packaging	
Depth of the packaging	
Gross weight(VPE)	

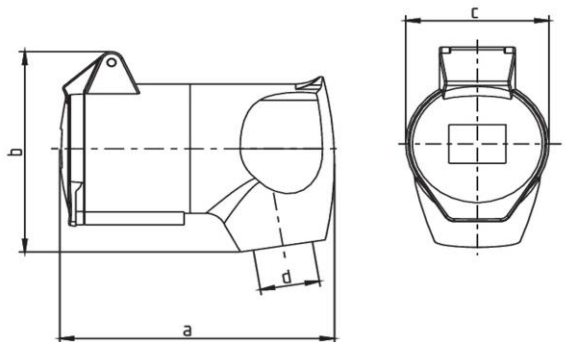
Classification system

Classification system	ETIM_6.0
ETIM Class	EC001320

Technical product data

IEC-amperage	16 A
Amperage acc. UL/CSA (for UL-version)	20 A
Number of poles	4
Voltage acc. EN 60309-2	400 V (50+60 Hz) rot
Clock hour position	6 h
Identification colour	Red
RAL-number	1013
Degree of protection (IP)	IP44
Connection system	Screw less terminal
Angle of plug	angled
Cable entry	Anti-kink sleeve
Material	Plastic

Dimension sheet



Amp.	16			32		
Pole	3	4	5	3	4	5
a	95	110	110	130	115	115
b	80	95	95	106	106	106
c	50,3	64,5	64,5	72	72	72
d	8/13	10/16,5	10/16,5	11/22	11/22	11/22