

PRODUCT DATA SHEET

Part number **316407**

EAN **4015609745067**

Manufacturer **WALTHER-WERKE**

WEEE-Reg.-Number: **DE 22131895**

Product description

MONDO angled coupler 16A 4P 7h with internal grommet



Similar image

Detailed product description

WALTHER angled Coupler 16A 4P 500V 7h IP44
 low-voltage connector from the MONDO series
 made from PA6 material
 backside RAL 7035 -light grey-
 with screw terminal
 and internal grommet

Ordering Information

Order unit	Piece
Customs number	85366990
Net weight	
Packing quantity (VPE)	10
Length of the packaging	
Width of the packaging	
Depth of the packaging	
Gross weight(VPE)	

Certificates

EAC certification

BY112.02.01.020 06101



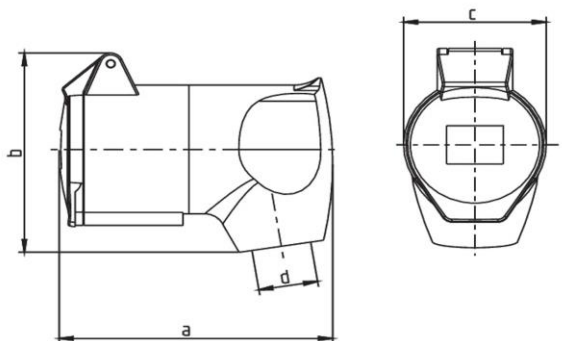
Classification system

Classification system	ETIM_6.0
ETIM Class	EC001320

Technical product data

IEC-amperage	16 A
Amperage acc. UL/CSA (for UL-version)	20 A
Number of poles	4
Voltage acc. EN 60309-2	500 V (50+60 Hz) schwarz
Clock hour position	7 h
Identification colour	Black
Degree of protection (IP)	IP44
Connection system	Screw less terminal
Angle of plug	angled
Cable entry	Anti-kink sleeve
Material	Plastic

Dimension sheet



Amp.	16			32		
Pole	3	4	5	3	4	5
a	95	110	110	130	115	115
b	80	95	95	106	106	106
c	50,3	64,5	64,5	72	72	72
d	8/13	10/16,5	10/16,5	11/22	11/22	11/22