

## PRODUCT DATA SHEET

---

Part number 316

---

EAN 4015609253975

Manufacturer WALTHER-WERKE

WEEE-Reg.-Number: DE 22131895

### Product description

---

MONDO angled coupler 16A 5P 6h



Similar image

### Detailed product description

---

WALTHER angled coupler 16A 5P 400V 6h IP44  
 from the MONDO series  
 made from PA6 material  
 with screw terminal  
 and grommet

### Ordering Information

---

Order unit	Piece
Customs number	85366990
Net weight	0,138 kg
Packing quantity (VPE)	10
Length of the packaging	
Width of the packaging	
Depth of the packaging	
Gross weight(VPE)	1,38 kg

### Certificates

---

UL certification

No. E188992



EAC certification

BY112.02.01.020 06101



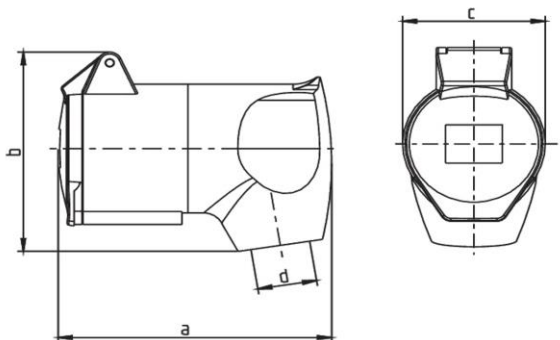
## Classification system

Classification system	ETIM_6.0
ETIM Class	EC001320

## Technical product data

IEC-amperage	16 A
Amperage acc. UL/CSA (for UL-version)	20 A
Number of poles	5
Voltage acc. EN 60309-2	400 V (50+60 Hz) red
Clock hour position	6 h
Identification colour	Red
RAL-number	7035
Degree of protection (IP)	IP44
Connection system	Screwed terminal
Angle of plug	Angled
Cable entry	Anti-kink sleeve
Material	Plastic

## Dimension sheet



Amp.	16			32		
Pole	3	4	5	3	4	5
a	95	110	110	130	115	115
b	80	95	95	106	106	106
c	50,3	64,5	64,5	72	72	72
d	8/13	10/16,5	10/16,5	11/22	11/22	11/22