

## PRODUCT DATA SHEET

---

Part number **336304**

---

EAN **4015609745128**

Manufacturer **WALTHER-WERKE**

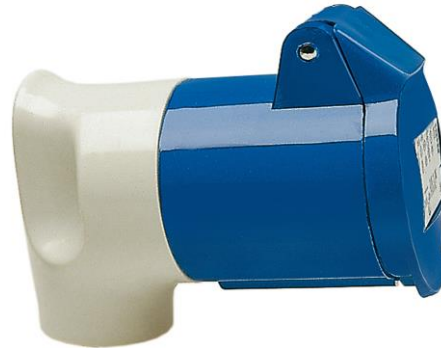
WEEE-Reg.-Number: **DE 22131895**

---

### Product description

---

MONDO angled coupler 32A 3P 4h with internal grommet



Similar image

### Detailed product description

---

WALTHER angled Coupler 32A 3P 110V 4h IP44  
 low-voltage connector from the MONDO series  
 made from PA6 material  
 backside RAL 7035 -light grey-  
 with screw terminal  
 and internal grommet

### Ordering Information

---

Order unit	Piece
Customs number	85366990
Net weight	
Packing quantity (VPE)	10
Length of the packaging	
Width of the packaging	
Depth of the packaging	
Gross weight(VPE)	

### Classification system

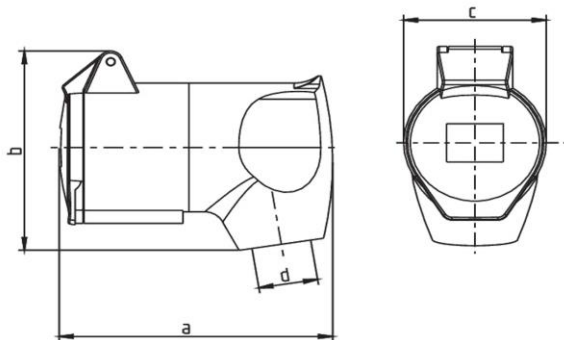
---

Classification system	ETIM_6.0
ETIM Class	EC001320

### Technical product data

IEC-amperage	32 A
Amperage acc. UL/CSA (for UL-version)	30 A
Number of poles	3
Voltage acc. EN 60309-2	110 V (50+60 Hz) gelb
Clock hour position	4 h
Identification colour	Yellow
Degree of protection (IP)	IP44
Connection system	Screw less terminal
Angle of plug	angled
Cable entry	Anti-kink sleeve
Material	Plastic

### Dimension sheet



Amp.	16			32		
Pole	3	4	5	3	4	5
a	95	110	110	130	115	115
b	80	95	95	106	106	106
c	50,3	64,5	64,5	72	72	72
d	8/13	10/16,5	10/16,5	11/22	11/22	11/22