

## PRODUCT DATA SHEET

---

Part number 339306

---

EAN 4015609017294

Manufacturer WALTHER-WERKE

WEEE-Reg.-Number: DE 22131895

### Product description

---

Waterproof coupler 32A 3P 6h with external cable gland



Product image

### Detailed product description

---

WALTHER Coupler 32A 3P 230V 6h IP67  
 made from PA6 material  
 with screw terminal  
 with external grommet  
 and an injected 2K seal  
 Increased safety due to two contact screws.






### Ordering Information

---

Order unit	Piece
Customs number	85366990
Net weight	0,344 kg
Packing quantity (VPE)	10
Length of the packaging	0,31 m
Width of the packaging	0,255 m
Depth of the packaging	0,15 m
Gross weight(VPE)	3,636 kg

### Certificates

---

VDE/ENEC certification	40024804	
UL certification	No. E329476	
CQC certification	2004010203136980	
EAC certification	BY112.02.01.020 06101	
CSA certification	70096522	

## Classification system

---

Classification system	ETIM_6.0
ETIM Class	EC001320

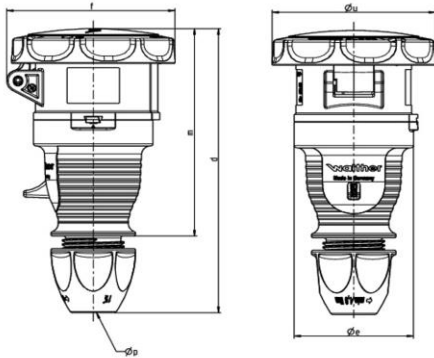
## Technical product data

---

IEC-amperage	32 A
Amperage acc. UL/CSA (for UL-version)	30 A
Number of poles	3
Voltage acc. EN 60309-2	230 V (50+60 Hz) blue
Clock hour position	6 h
Identification colour	Blue
RAL-number	5002
Degree of protection (IP)	IP67
Connection system	Screwed terminal
Angle of plug	Straight
Cable entry	Swivel
Material	Plastic

## Dimension sheet

---



<b>Amp.</b>	16	16	32	32
<b>Pole</b>	4	5	3 / 4	5
<b>d</b>	150-161	150-161	174-183	174-183
<b>Ø e</b>	Ø 65	Ø 65	Ø 72	Ø 72
<b>f</b>	85	92	95	104
<b>m</b>	125	125	142	142
<b>Ø u</b>	Ø 81	Ø 89	Ø 95	Ø 100
<b>Ø p</b>	7,5 - 18,5	7,5 - 18,5	10 - 22,5	10 - 22,5