

## PRODUCT DATA SHEET

---

Part number 360306

---

EAN 4015609017515

Manufacturer WALTHER-WERKE

WEEE-Reg.-Number: DE 22131895

### Product description

---

Coupler 63A 3P 6h with external grommet



Similar image

### Detailed product description

---

WALTHER Coupler 63A 3P 230V 6h IP44  
 made from PA6 material  
 with screw terminal  
 and grommet

### Ordering Information

---

Order unit	Piece
Customs number	85366990
Net weight	0,621 kg
Packing quantity (VPE)	5
Length of the packaging	0,31 m
Width of the packaging	0,255 m
Depth of the packaging	0,15 m
Gross weight(VPE)	3,301 kg

### Certificates

---

VDE certification 40000699



UL certification

No. E329476



EAC certification

BY112.02.01.020 06101



## Classification system

Classification system

ETIM\_6.0

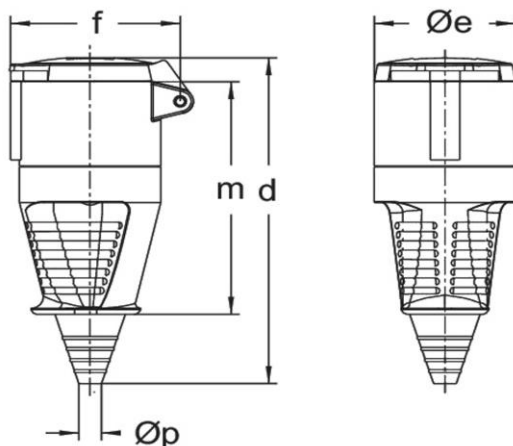
ETIM Class

EC001320

## Technical product data

IEC-amperage	63 A
Amperage acc. UL/CSA (for UL-version)	60 A
Number of poles	3
Voltage acc. EN 60309-2	230 V (50+60 Hz) blue
Clock hour position	6 h
Identification colour	Blue
RAL-number	5002
Degree of protection (IP)	IP44
Connection system	Screwed terminal
Angle of plug	Straight
Cable entry	Anti-kink sleeve
Material	Plastic

## Dimension sheet



Amp.	16	63		
	3	3	4	5
d	154	266	266	266
Øe	51	96	96	96
f	68	114	114	114
m	109	196	196	196
Øp	7/13	15/33	15/33	15/33