

## PRODUCT DATA SHEET

---

Part number 360402

|                   |               |
|-------------------|---------------|
| EAN               | 4015609160686 |
| Manufacturer      | WALTHER-WERKE |
| WEEE-Reg.-Number: | DE 22131895   |

### Product description

---

Coupler 63A 4P 2h with external grommet



Similar image

### Detailed product description

---

WALTHER Coupler 63A 4P 50-500V 300-500Hz 2h IP44  
 made from PA6 material  
 with screw terminal  
 with and an injected 2K seal  
 Increased safety due to two contact screws.

### Ordering Information

---

|                         |          |
|-------------------------|----------|
| Order unit              | Piece    |
| Customs number          | 85366990 |
| Net weight              | 0,719 kg |
| Packing quantity (VPE)  | 5        |
| Length of the packaging | 0,31 m   |
| Width of the packaging  | 0,255 m  |
| Depth of the packaging  | 0,15 m   |
| Gross weight(VPE)       | 3,791 kg |

### Certificates

---

VDE certification 40000699



UL certification

No. E329476



EAC certification

BY112.02.01.020 06101



## Classification system

Classification system

ETIM\_6.0

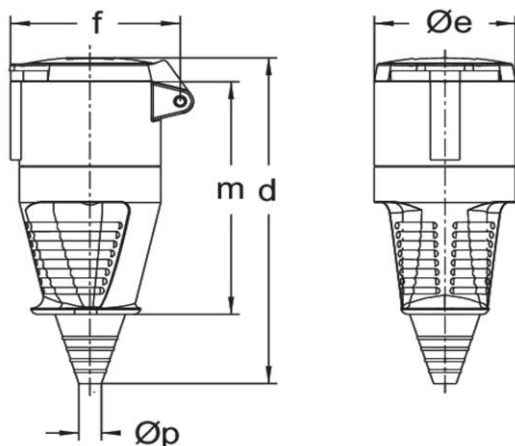
ETIM Class

EC001320

## Technical product data

|                                       |                              |
|---------------------------------------|------------------------------|
| IEC-amperage                          | 63 A                         |
| Amperage acc. UL/CSA (for UL-version) | 60 A                         |
| Number of poles                       | 4                            |
| Voltage acc. EN 60309-2               | 50-500 V (>300-500 Hz) green |
| Clock hour position                   | 2 h                          |
| Identification colour                 | Green                        |
| RAL-number                            | 6025                         |
| Degree of protection (IP)             | IP44                         |
| Connection system                     | Screwed terminal             |
| Angle of plug                         | Straight                     |
| Cable entry                           | Anti-kink sleeve             |
| Material                              | Plastic                      |

## Dimension sheet



| Amp. | 63   |       |       |       |
|------|------|-------|-------|-------|
|      | 16   | 3     | 4     | 5     |
| Pole | 3    | 3     | 4     | 5     |
| d    | 154  | 266   | 266   | 266   |
| Øe   | 51   | 96    | 96    | 96    |
| f    | 68   | 114   | 114   | 114   |
| m    | 109  | 196   | 196   | 196   |
| Øp   | 7/13 | 15/33 | 15/33 | 15/33 |