

PRODUCT DATA SHEET

Part number 361304

EAN 4015609017706

Manufacturer WALTHER-WERKE

WEEE-Reg.-Number: DE 22131895

Product description

Coupler 63A 3P 4h with cable gland



Similar image

Detailed product description

WALTHER Coupler 63A 3P 110V 4h IP44

made from PA6 material

with screw terminal

with cable gland

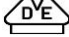


and an injected 2K seal

Increased safety due to two contact screws.

Ordering Information

Order unit	Piece
Customs number	85366990
Net weight	0,656 kg
Packing quantity (VPE)	5
Length of the packaging	0,31 m
Width of the packaging	0,255 m
Depth of the packaging	0,15 m
Gross weight(VPE)	3,476 kg

Certificates

VDE certification	40000699	
UL certification	No. E329476	
EAC certification	BY112.02.01.020 06101	

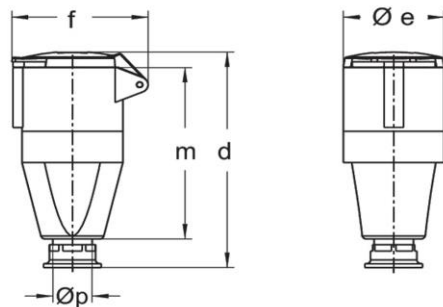
Classification system

Classification system	ETIM_6.0
ETIM Class	EC001320

Technical product data

IEC-amperage	63 A
Amperage acc. UL/CSA (for UL-version)	60 A
Number of poles	3
Voltage acc. EN 60309-2	110 V (50+60 Hz) yellow
Clock hour position	4 h
Identification colour	Yellow
RAL-number	1018
Degree of protection (IP)	IP44
Connection system	Screwed terminal
Angle of plug	Straight
Cable entry	Swivel
Material	Plastic

Dimension sheet



Amp.	16			32			63		
Pole	3	4	5	3	4	5	3	4	5
d	135	151	151	171	171	171	255	255	255
Øe	51	65	65	72	72	72	96	96	96
f	68	85	85	91	91	98	114	114	114
m	110	113	113	136	136	136	194	194	194
Øp	7,5-14,5	7,5-14,5	7,5-14,5	10-19,5	10-19,5	10-19,5	18-34,5	18-34,5	18-34,5