

## PRODUCT DATA SHEET

---

Part number 362304

---

EAN 4015609664924

Manufacturer WALTHER-WERKE

WEEE-Reg.-Number: DE 22131895

### Product description

---

Coupler 63A 3P 4h with external cable gland



Product image

### Detailed product description

---

WALTHER Coupler 63A 3P 110V 4h IP44  
 made from PA6 material  
 with screw terminal  
 with cable gland



### Ordering Information

---

Order unit	Piece
Customs number	85366990
Net weight	
Packing quantity (VPE)	10
Length of the packaging	
Width of the packaging	
Depth of the packaging	
Gross weight(VPE)	

### Certificates

---

VDE certification	40000699	
EAC certification	BY112.02.01.020 06101	

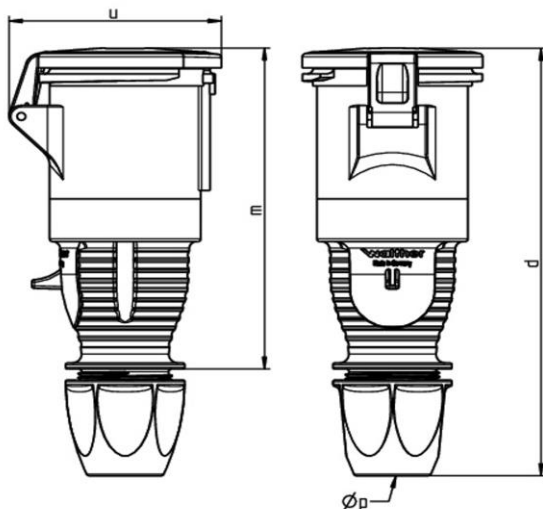
## Classification system

Classification system	ETIM_6.0
ETIM Class	EC001320

## Technical product data

IEC-amperage	63 A
Amperage acc. UL/CSA (for UL-version)	60 A
Number of poles	3
Voltage acc. EN 60309-2	110 V (50+60 Hz) yellow
Clock hour position	4 h
Identification colour	Yellow
RAL-number	1018
Degree of protection (IP)	IP44
Connection system	Screwed terminal
Angle of plug	Straight
Cable entry	Swivel
Material	Plastic

## Dimension sheet



Amp.	63		
Pole	3	4	5
d	261	261	261
u	113	113	113
m	189	189	189
Øp	14-33	14-33	14-33