

## PRODUCT DATA SHEET

---

Part number **362402**

EAN **4015609665013**

Manufacturer **WALTER-WERKE**

WEEE-Reg.-Number: **DE 22131895**

### Product description

---

Coupler 63A 4P 2h with external cable gland



Product image

### Detailed product description

---

WALTER Coupler 63A 4P 50-500V 300-500Hz 2h IP44  
 made from PA6 material  
 with screw terminal  
 with cable gland

### Ordering Information

---

Order unit	Piece
Customs number	85366990
Net weight	
Packing quantity (VPE)	5
Length of the packaging	
Width of the packaging	
Depth of the packaging	
Gross weight(VPE)	

### Certificates

---

VDE certification **40000699**



EAC certification **BY112.02.01.020 06101**



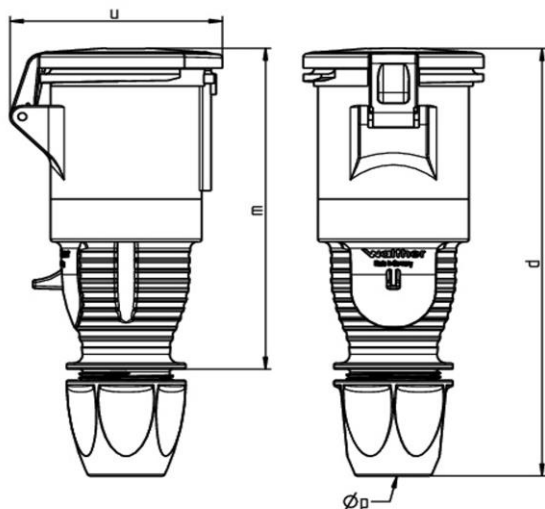
## Classification system

Classification system	ETIM_6.0
ETIM Class	EC001320

## Technical product data

IEC-amperage	63 A
Amperage acc. UL/CSA (for UL-version)	60 A
Number of poles	4
Voltage acc. EN 60309-2	50-500 V (>300-500 Hz) green
Clock hour position	2 h
Identification colour	Green
RAL-number	6025
Degree of protection (IP)	IP44
Connection system	Screwed terminal
Angle of plug	Straight
Cable entry	Swivel
Material	Plastic

## Dimension sheet



Amp.	63		
Pole	3	4	5
d	261	261	261
u	113	113	113
m	189	189	189
Øp	14-33	14-33	14-33