

## PRODUCT DATA SHEET

---

Part number 362

---

EAN 4015609651566

Manufacturer WALTHER-WERKE

WEEE-Reg.-Number: DE 22131895

### Product description

---

Coupler 63A 5P 6h with external cable gland



Product Image

### Detailed product description

---

WALTHER Coupler 63A 5P 400V 6h IP44

made from PA6 material

with screw terminal

and external cable gland

Increased safety due to injected 2K seal

and two contact screws.

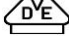

### Ordering Information

---

Order unit	Piece
Customs number	85366990
Net weight	0,713 kg
Packing quantity (VPE)	5
Length of the packaging	
Width of the packaging	
Depth of the packaging	
Gross weight(VPE)	3,565 kg

### Certificates

---

VDE certification	40000699	
EAC certification	BY112.02.01.020 06101	

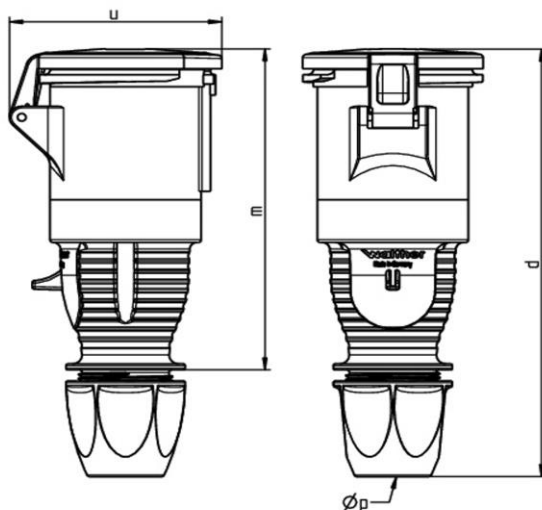
## Classification system

Classification system	ETIM_6.0
ETIM Class	EC001320

## Technical product data

IEC-amperage	63 A
Amperage acc. UL/CSA (for UL-version)	60 A
Number of poles	5
Voltage acc. EN 60309-2	400 V (50+60 Hz) red
Clock hour position	6 h
Identification colour	Red
RAL-number	3000
Degree of protection (IP)	IP44
Connection system	Screwed terminal
Angle of plug	Straight
Cable entry	Swivel
Material	Plastic

## Dimension sheet



Amp.	63		
Pole	3	4	5
d	261	261	261
u	113	113	113
m	189	189	189
Øp	14-33	14-33	14-33