

PRODUCT DATA SHEET

Part number **368304**

EAN **4015609660575**

Manufacturer **WALTER-WERKE**

WEEE-Reg.-Number: **DE 22131895**

Product description

Waterproof coupler 63A 3P 4h with external cable gland



Product image

Detailed product description

WALTER Coupler 63A 3P 110V 4h IP67
 made from PA6 material
 with screw terminal
 with cable gland



Ordering Information

Order unit	Piece
Customs number	85366990
Net weight	0,669 kg
Packing quantity (VPE)	5
Length of the packaging	
Width of the packaging	
Depth of the packaging	
Gross weight(VPE)	3,345 kg

Certificates

VDE certification **40000699**



CQC certification	2004010203136990	
EAC certification	BY112.02.01.020 06101	

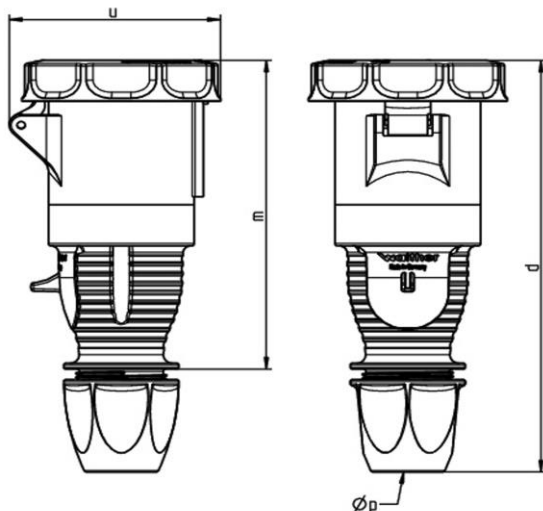
Classification system

Classification system	ETIM_6.0
ETIM Class	EC001320

Technical product data

IEC-amperage	63 A
Amperage acc. UL/CSA (for UL-version)	60 A
Number of poles	3
Voltage acc. EN 60309-2	110 V (50+60 Hz) yellow
Clock hour position	4 h
Identification colour	Yellow
RAL-number	1018
Degree of protection (IP)	IP67
Connection system	Screwed terminal
Angle of plug	Straight
Cable entry	Swivel
Material	Plastic

Dimension sheet



Amp.	63		
Pole	3	4	5
d	261	261	261
u	116	116	116
m	189	189	189
Øp	14-33	14-33	14-33